

# DAMPER CATCH



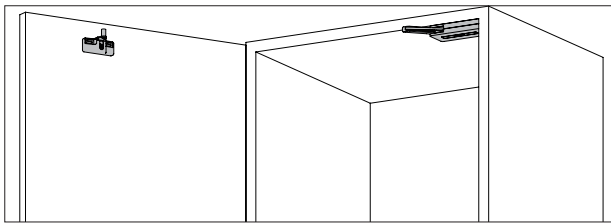
DC-200



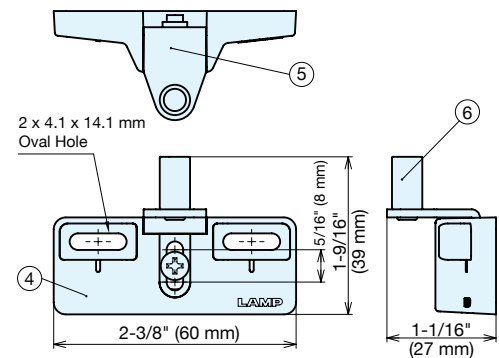
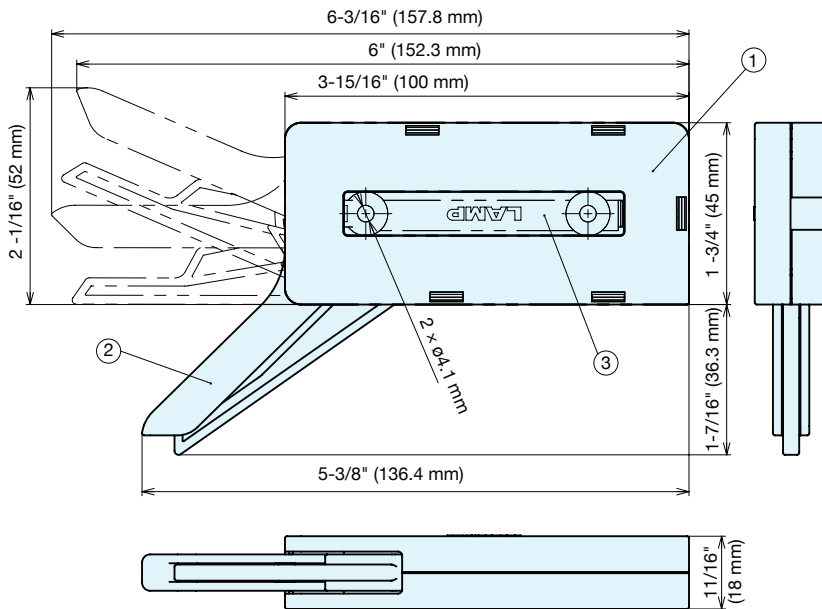
- Damper and catch combination for large cabinetry and closet doors.
- Allows door to soft close and prevent slamming.
- Holds doors in closed position.
- Easy to install by simply aligning body with the interior wall.
- Non-handed.
- Can handle doors up to 88 lbs (40 kg). (When using DC-200 - 40).
- Strike can be adjusted post-installation: horizontally  $\pm 5$  mm, vertically  $\pm 4$  mm.
- Passed 50,000 open/close cycles in a private test.

**RECOMMENDED HINGES**

- Heavy Duty Concealed Hinge J95.
- 3way Adjustable Concealed Hinge HES3D-90
- Single axis furniture hinges.



Attach to the interior of the cabinet.



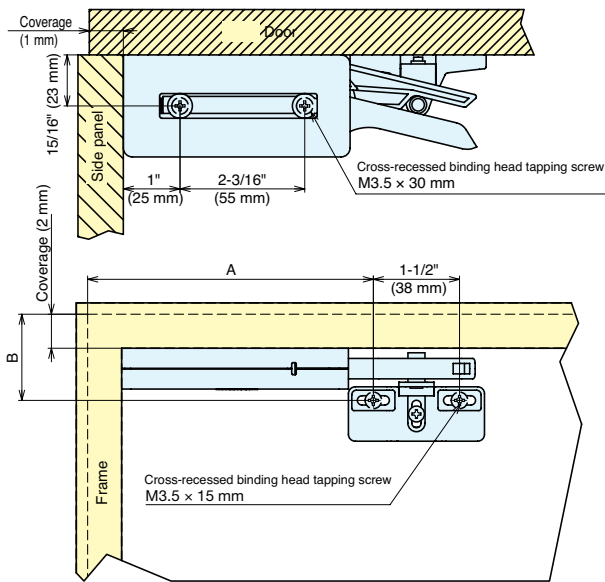
No.	Item Name	Materials	Finish/Colour
①	Body	PC/ABS	White / Black
②	Arm	PA	White / Black
③	Body Cover	ABS	White / Black
④	Counter	PC/ABS	White / Black
⑤	Counter Plate	Steel (SPCC)	Nickel Plating
⑥	Bumper	Elastomer	Gray

Item Name	Colour	Door Width	Door Height Max.	Load Capacity lbs	Weight (g)	Box (pcs)	Carton (pcs)
DC-200-25WT	White	17-3/4" ~ 35-7/16" (450 - 900 mm)	94-1/2" (2400 mm)	15 ~ 55 (7 ~ 25 kg)	105	10	100
DC-200-25BL	Black						
DC-200-40WT	White			55 ~ 88 (25 ~ 40 kg)			
DC-200-40BL	Black						

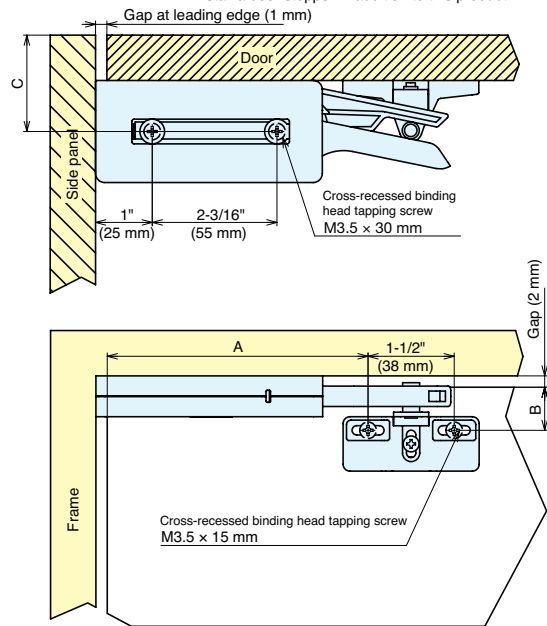
# DAMPER CATCH

# DC-200

For overlay doors



For inset doors Install a door stopper in addition to this product.



	A	B	C
Outset Doors	114 + Coverage (1)	24 + Coverage (2)	
Inset Doors	114 - gap at leading edge (1)	24 - gap (2)	23+Door Thickness



### DESIGN FEATURES

- Compact and slim design.
- Available in black and white for optimum concealment.
- Available in 2 strengths to accommodate various door sizes.
- Left or right handed options for best performance

