



Natural Wood



Steam Bent Rim Doweled (2) Butt Joint

- Feature:**
 2-3/8" Steam Bent Rim (3-1/4" for Tall)
 5/8" Thick Maple Tray Bottom
 Chrome Hardware
 Doweled (2) Butt Joint
 Aluminum Bearings



Bearing Diagram



Tray Configurations:



Full-Circle

18", 24", 28", 32"



D-Shape

20", 28", 32"
 (Available in Tall - except 28")



Kidney Shape

28", 32"
 (Available in Tall)



Pie-Cut

28"



Half-Moon

32", 35", 38"

KIDNEY SHAPED SHELF

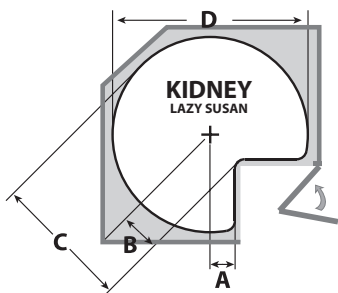


PRODUCT #s	DESCRIPTION	PRODUCT DIMENSIONS	FINISH	SET PER CARTON	WEIGHT PER CARTON	SUGGESTED LIST PRICE
Lazy Daisy Natural Wood Kidney with Aluminum Bearing						Individual Pack
LD-4NW-401-28BS-1	28" LD Natural Wood Kidney Tray w/Alum Bearing			1	10 lbs.	\$137.60
LD-4NW-401-32BS-1	32" LD Natural Wood Kidney Tray w/Alum Bearing			1	14 lbs.	\$158.65
Lazy Daisy Natural Wood Tall Kidney with Aluminum Bearing						Individual Pack
LD-4NW-401-28TBS-1	28" LD Natural Wood Kidney Tall Rim Tray w/Alum Bearing			1	11 lbs.	\$172.85
LD-4NW-401-32TBS-1	32" LD Natural Wood Kidney Tall Rim Tray w/Alum Bearing			1	15 lbs.	\$199.95
Lazy Daisy Natural Wood Kidney Two Tray Set						Individual Pack
LD-4NW-472-18-1	18" LD Natural Wood Kidney 2 Tray Set w/26"-31" Tele Shaft			1	10 lbs.	\$171.80
LD-4NW-472-28-1	28" LD Natural Wood Kidney 2 Tray Set w/26"-31" Tele Shaft			1	26 lbs.	\$267.50
LD-4NW-472-32-1	32" LD Natural Wood Kidney 2 Tray Set w/26"-31" Tele Shaft			1	30 lbs.	\$293.65

KIDNEY SHAPED SHELF BULK



PRODUCT #s	DESCRIPTION	PRODUCT DIMENSIONS	FINISH	SET PER CARTON	WEIGHT PER CARTON	SUGGESTED LIST PRICE
Lazy Daisy Natural Wood Kidney with Aluminum Bearing						Bulk Pack
LD-4NW-401-28BS-8	28" LD Natural Wood Kidney Tray w/Alum Bearing			8	80 lbs.	\$110.20
LD-4NW-401-32BS-8	32" LD Natural Wood Kidney Tray w/Alum Bearing			8	96 lbs.	\$142.70
Lazy Daisy Natural Wood Tall Kidney with Aluminum Bearing						Bulk Pack
LD-4NW-401-28TBS-6	28" LD Natural Wood Kidney Tall Rim Tray w/Alum Bearing			6	80 lbs.	\$157.20
LD-4NW-401-32TBS-6	32" LD Natural Wood Kidney Tall Rim Tray w/Alum Bearing			6	84 lbs.	\$181.85
Lazy Daisy Natural Wood Kidney Trays Only						Bulk Pack
LD-4NW-441-18-8	18" LD Natural Wood Drilled Kidney Tray			8	42 lbs.	\$51.90
LD-4NW-441-28-8	28" LD Natural Wood Drilled Kidney Tray			8	70 lbs.	\$83.80
LD-4NW-441-32-8	32" LD Natural Wood Drilled Kidney Tray			8	86 lbs.	\$106.00
Lazy Daisy Natural Wood Tall Kidney Trays Only						Bulk Pack
LD-4NW-441-28T-6	28" LD Natural Wood Drilled Kidney Tall Rim Tray 6 Per			6	70 lbs.	\$116.45
LD-4NW-441-32T-6	32" LD Natural Wood Drilled Kidney Tall Rim Tray 6 Per			6	74 lbs.	\$141.10

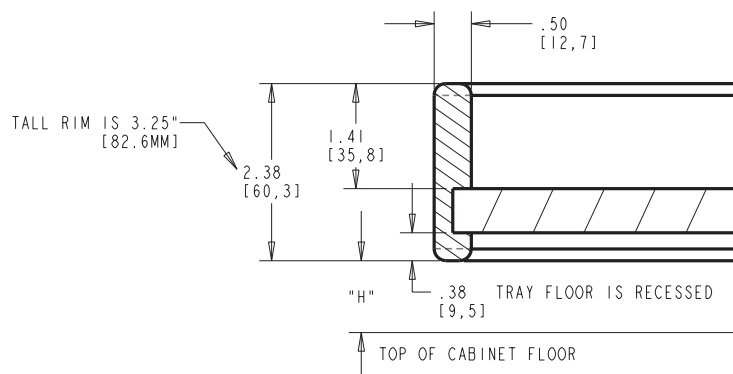


KIDNEY SPECIFICATIONS

SHELF	MATERIAL	SERIES	A	B	C	D	SHAFT SYSTEM
24" KIDNEY	WOOD	LD-4NW	1 7/8"	2 1/2"	11 1/2"	18"	1" IND.
28" KIDNEY	WOOD	LD-4NW	3"	4 1/4"	18 1/8"	27 3/4"	1" IND.
32" KIDNEY	WOOD	LD-4NW	4"	5 3/4"	21 5/8"	31 3/4"	1" IND.

DEP.=DEPENDENT ROTATING SYSTEM IND.=INDEPENDENT ROTATING SYSTEM

LIP SPECIFICATIONS



NATURAL WOOD SHELVES

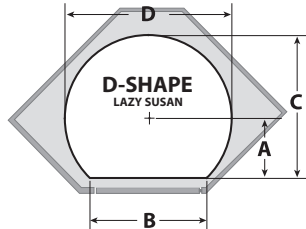
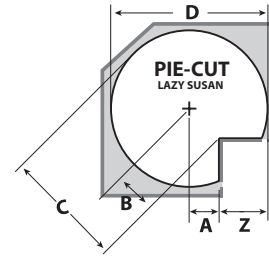
HARDWARE	TRAY SHAPE	"H"
ALUMINUM BEARING	FC, KIDNEY, AND D-SHAPE	.96" [24.5MM]
TELESCOPIC POST	FULL CIRCLE	.87" [22.2MM]
TELESCOPIC POST	KIDNEY AND D-SHAPE	.97" [23.5MM]
TELESCOPIC POST	PIE CUT	1.75" [44.5MM]

SPECIFICATIONS

NATURAL WOOD SHELVES

SHELF	MATERIAL	SERIES	A	B	C	D	Z	SYSTEM
28" PIE CUT	WOOD	LD-4NW	3"	4 1/4"	18 1/8"	27 3/4"	10 7/8" + 1/8" GAP	1" DEP.

DEP.=DEPENDENT ROTATING SYSTEM IND.=INDEPENDENT ROTATING SYSTEM

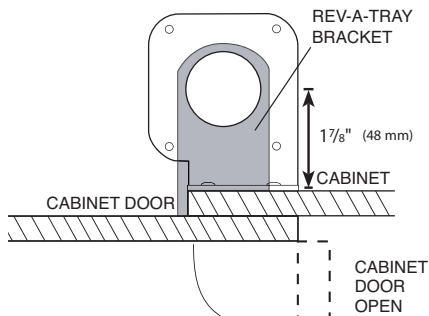


SHELF	MATERIAL	SERIES	A	B	C	D	SHAFT SYSTEM
20" D-SHAPE	WOOD	LD-4NW	8 3/8"	9 7/8"	18 1/8"	19 1/2"	1" IND.
28" D-SHAPE	WOOD	LD-4NW	11 7/8"	14 1/2"	25 3/4"	27 3/4"	1" IND.
32" D-SHAPE	WOOD	LD-4NW	13 1/2"	16 3/4"	29 3/8"	31 3/4"	1" IND.

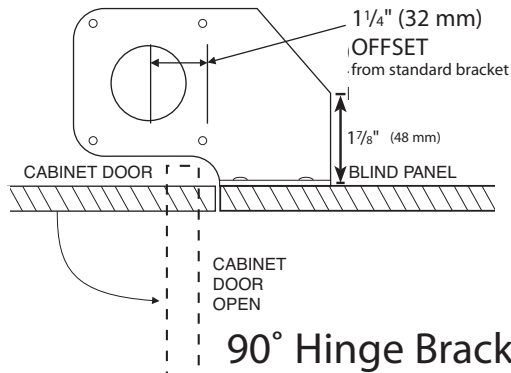
DEP.=DEPENDENT ROTATING SYSTEM IND.=INDEPENDENT ROTATING SYSTEM

SPECIFICATIONS

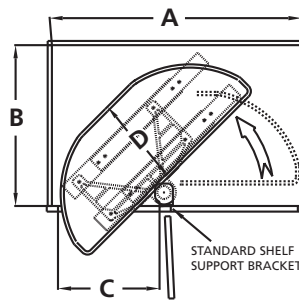
HALF-MOON NATURAL WOOD SHELVES



Standard Bracket



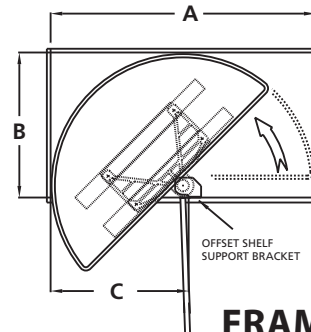
Smaller Trays have flat backs.



FRAMED CABINET

DIMENSIONS (A, B, AND C ARE MINIMUMS. 32" TRAY SHOWN IN DIAGRAM.)

NOM TRAY SIZE	"A"	"B"	"C"	"D"
32" (813 mm)	34 1/4" (870 mm)	22" (559 mm)	12" (305 mm)	11 1/8" (283 mm)
35" (889 mm)	37" (940 mm)	22" (559 mm)	15" (381 mm)	14 1/8" (359 mm)
38" (965 mm)	39 1/2" (1003 mm)	22" (559 mm)	18" (457 mm)	17 1/8" (435 mm)



FRAMELESS CABINET (EURO)

DIMENSIONS (A, B, AND C ARE MINIMUMS. 38" TRAY SHOWN IN DIAGRAM.)

NOM TRAY SIZE	"A"	"B"	"C"
32" (813 mm)	34 1/8" (867 mm)	22" (559 mm)	13 1/4" (387 mm)
35" (889 mm)	35 3/16" (897 mm)	22" (559 mm)	16 1/4" (413 mm)
38" (965 mm)	38 3/16" (980 mm)	22" (559 mm)	19 1/4" (489 mm)