

# 599 SERIES

# GLASS BLIND CORNER

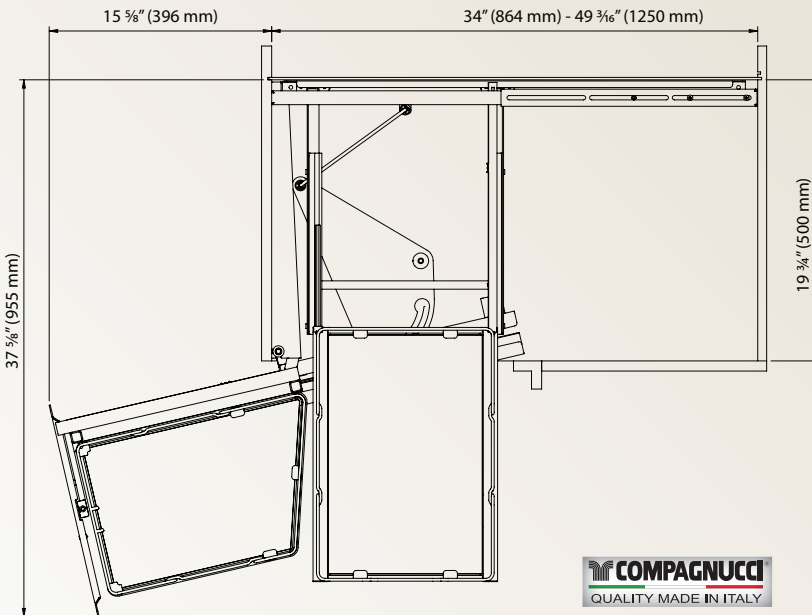


Optimize your storage with this luxurious blind corner organizer. As you pull open the cabinet door the front baskets slide & rotate out of the cabinet while the rear baskets move into sight from the depths of the blind corner. Each rear basket can then be independently pulled open allowing full access to those hard to find items.

The chrome plated oval wire is finished with a soft champagne "Flute" finish and the shelves feature tempered safety glass with Stylinox™, an Anti-Skid transparent coating that not only prevents skidding, but protects the glass and softens the surface, resulting in a reduction in cracks on items stored within.

Available for left or right hand blind corners, and gliding on 110 lb. rated soft closing slides, it's the perfect addition to your full height blind corner cabinet.

SINK & BASE  
ACCESSORIES



PRODUCT #s	DESCRIPTION	PRODUCT DIMENSIONS	FINISH	SET PER CARTON	WEIGHT PER CARTON	SUGGESTED LIST PRICE
<b>Blind Corner Organizer</b>					<b>Individual Pack</b>	
599-18-LGS	2 Tray Right DM	SEE CHART	Glass/Flute	1	62 lbs.	\$1,446.40
599-18-RGS	2 Tray Left DM	SEE CHART	Glass/Flute	1	62 lbs.	\$1,446.40