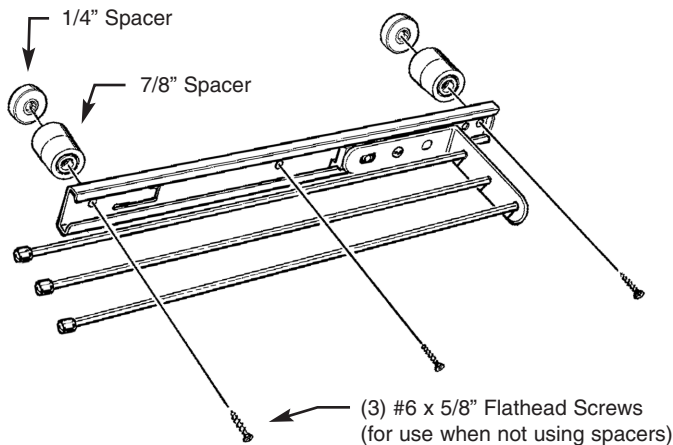


## Installation Instructions for Pull-Out Towel Bar



### NOTE:

1-1/2" Face Frame - Uses 7/8" Spacers  
1-3/4" Face Frame - Uses both spacers  
(2) #8 x 1-1/4" Pan Head Screws  
(for use with spacers)

### Tools Required

#2 Phillips Screwdriver, Level,  
Tape Measure, and Pencil

### Standard Installation

1. Determine inside wall of cabinet for installation and also determine a convenient height for your installation
  - 1a. For framed cabinets (or cabinets with other obstructions) use the appropriate spacers to ensure towel rod has sufficient clearance when extended
2. Now position towel holder with front of slide near front opening of cabinet (for best extension). Use a level and mark three (3) hole locations through towel holder slide
3. Hold slide over marked hole locations and install towel holder with three Phillips head screws provided in hardware bag

Toll Free Customer Service is available  
during weekday business hours:

**800-626-1126**