

5330 MP SERIES

MAPLE PULLOUT BASKET

- Designed for 18", 24" and 36" Base Cabinets
- Can be side or bottom mounted
- Features soft-close full-extension slides
- Door mounting brackets are also included
- Feature chrome plated wire fencing and Stylinox™ Anti-Skid surfaces

SINK AND BASE
ACCESSORIES



5330-15-MP

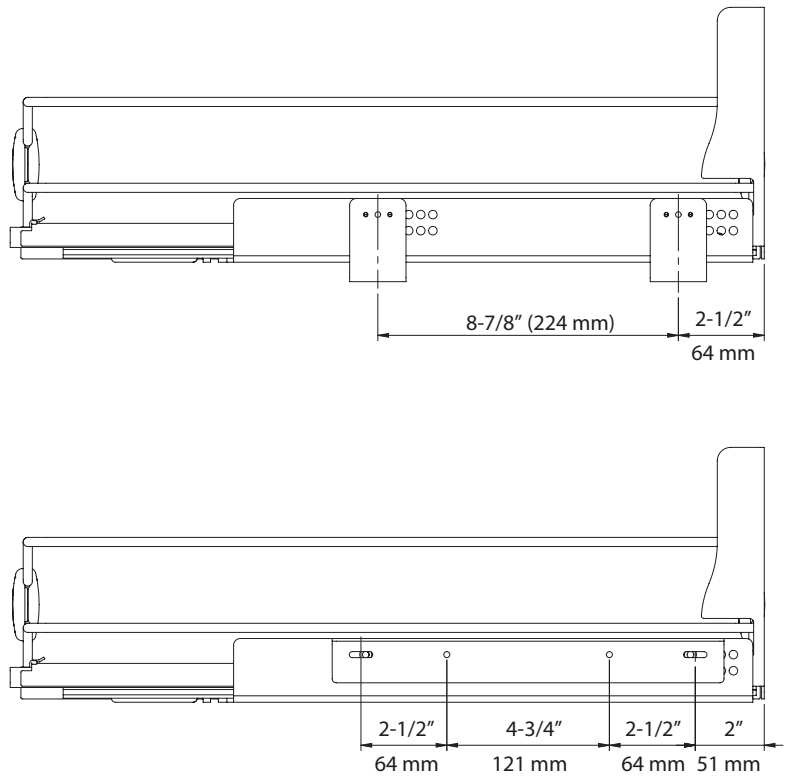
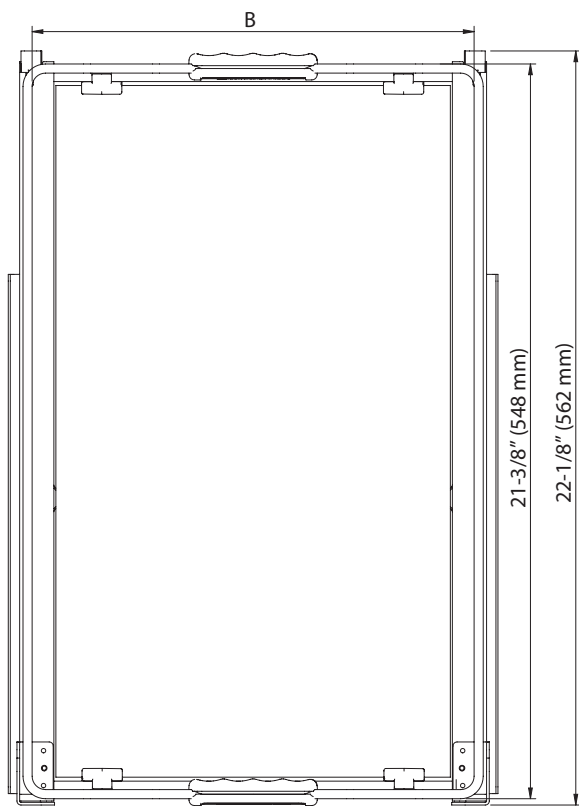
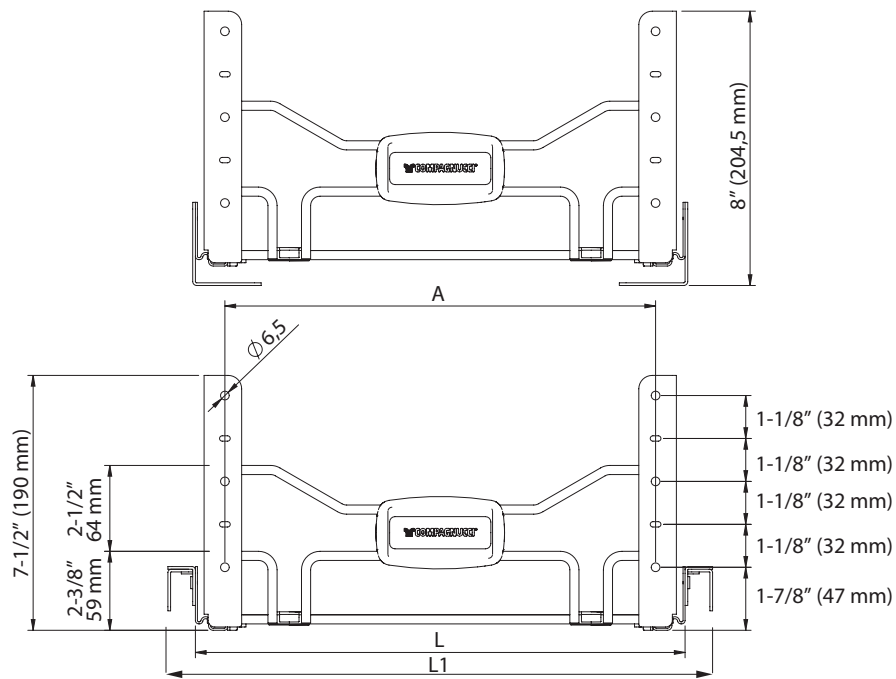


CONTAINS 1 BASKET, TWO UNITS SHOWN



FEATURING STYLINOX™
ANTI-SKID SURFACE

PRODUCT #	DESCRIPTION	DIMENSIONS	FINISH	SET PER CTN	WHT PER CARTON	SUGGESTED LIST PRICE
Maple Pull-Out Basket (Individual Pack)						
5330-15-MP	15" Pullout Basket	14 $\frac{3}{8}$ " (365 mm) W x 22 $\frac{1}{8}$ " (562 mm) D x 7 $\frac{1}{2}$ " (190 mm) H	Maple/Chrome	1	19 lb.	\$435.60
5330-21-MP	21" Pullout Basket	20 $\frac{3}{8}$ " (517 mm) W x 22 $\frac{1}{8}$ " (562 mm) D x 7 $\frac{1}{2}$ " (190 mm) H	Maple/Chrome	1	22 lb.	\$474.60
5330-33-MP	33" Pullout Basket	32 $\frac{3}{8}$ " (822 mm) W x 22 $\frac{1}{8}$ " (562 mm) D x 7 $\frac{1}{2}$ " (190 mm) H	Maple/Chrome	1	29 lb.	\$525.20



PART	DESCRIPTION	L	L1	A	B
5330-15-MP	15" Pullout Basket	14-3/8" (365 mm)	15-15/16" - 16-11/16" (405-423mm)	12-5/8" (321 mm)	13" (329 mm)
5330-21-MP	21" Pullout Basket	20-3/8" (517 mm)	21-15/16" - 22-11/16" (557-575mm)	18-5/8" (471 mm)	18-7/8" (479 mm)
5330-33-MP	33" Pullout Basket	32-3/8" (822 mm)	33-15/16" - 34-11/16" (862-880mm)	30-5/8" (777 mm)	30" (785 mm)