

HANGING SYSTEMS





CAMAR®
the art of innovation

VISIBLE BRACKET

CAMAR® Brackets are made with you in mind. They feature a precision depth and height adjustment to ensure the cabinets are in the precise position. Side to Side adjustment is achieved by sliding left to right on the hanging rail.

CAMAR® Specializes in quality, offering their components in ABS plastic and steel.

Cover caps are available in various colors to hide the metal hardware on our Brackets or the adjustability holes on our concealed brackets.

All of our brackets work with the 875 hanging rails except our 807 bracket.

BRACKETS AND RAILS

CONCEALED BRACKET

The **CAMAR®** concealed hanging bracket offers a clean look for your cabinet.

Precision depth and height adjustments are standard on our concealed brackets to make sure you always have a level result.

CAMAR® concealed hanging brackets are made out of steel for maximum durability.

BASE CABINET BRACKET

Base cabinet brackets can help to modernize your living room, kitchen and bath.

The brackets and anti-drop wall plates are made out of steel and are both sturdy and easy to install.

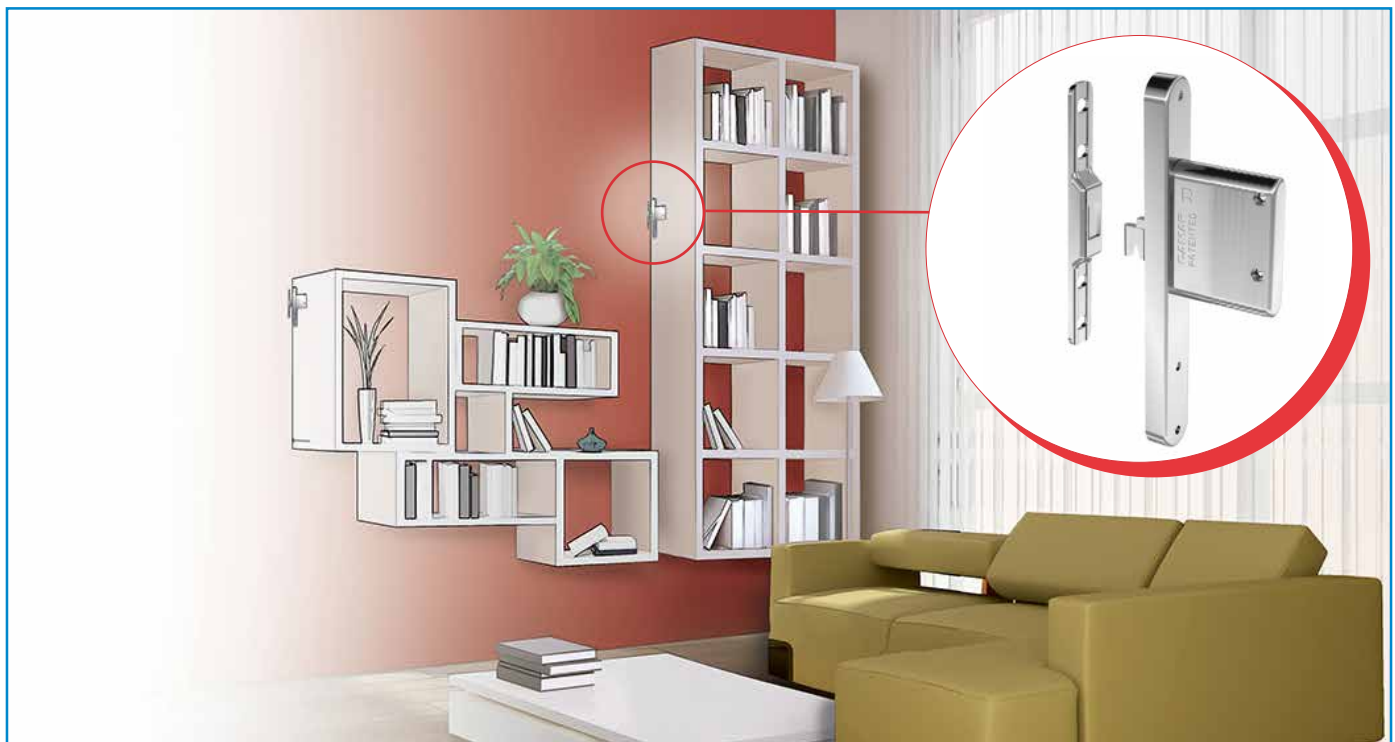
Perfect choice for floating vanities, entertainment centers and kitchens.



Any loading capacity quoted here is the result of tests which have been carried out with tooling in compliance with LGA standards and refers to the relevant item, correctly positioned and assembled, disregarding any construction variables of the finished cabinet, and disregarding the way it is fastened to the wall. We recommend that all dimensions which have been quoted in our technical drawings are complied with and recommend testing a complete cabinet at an accredited testing institute, according to the norms which are in force in the countries where you intend to sell your products. Please call Peter Meier Inc. for more information.

TABLE OF CONTENTS

4	VISIBLE BASE CABINET BRACKETS	Page	
	807 - Base Cabinet Hanging Bracket		04
	807XL - Base Cabinet Hanging Bracket		06
8	CONCEALED BASE CABINET BRACKETS		
	819 - Concealed Base Cabinet Hanging Bracket		08
10	VISIBLE WALL CABINET BRACKETS		
	704 - Wall Cabinet Hanging Bracket		10
	Metal Wall Cabinet Hanging Bracket		11
	806 - Wall Cabinet Hanging Bracket		12
	814 - Wall Cabinet Hanging Bracket		13
	822 - Wall Cabinet Hanging Bracket		13
14	CONCEALED WALL CABINET BRACKETS		
	817-AU - Wall Cabinet Hanging Bracket		14
	817-ZV - Wall Cabinet Hanging Bracket		15
	817-D8 - Wall Cabinet Hanging Bracket		16
	817-V1 - Wall Cabinet Hanging Bracket		17
	816-DU - Wall Cabinet Hanging Bracket		18
	TRACER 7 - Wall Cabinet Hanging Bracket		18
	TENTI-8 - Invisible Shelf Support		19
20	IN THE SIDE PANEL BRACKETS		
	821-T2 - Side Panel Hanging Bracket		20
	821-20 - Side Panel Hanging Bracket		22
24	HANGING RAILS		
	875-Z1 - Steel Hanging Rail - Long		24
	875-Z1 - Steel Hanging Rail - Short		24
	875-AS - Steel Hanging Rail - Long		25
	875-AS - Steel Hanging Rail - Short		25



821 In the Side Panel Brackets

Page 20-23

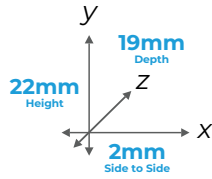
CONTACT INFO

1255 South Park Dr.
 Kernersville, NC 27284 USA
 Tel. 336-996-7774
 Fax 336-996-1812
 Toll Free 800-222-6941
 E-mail: info@petermeier.com
www.petermeier.com

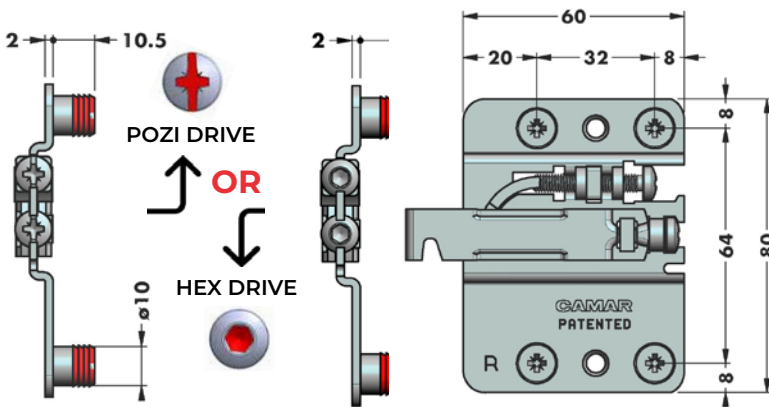
807 BASE CABINET HANGING BRACKET

CAMAR®

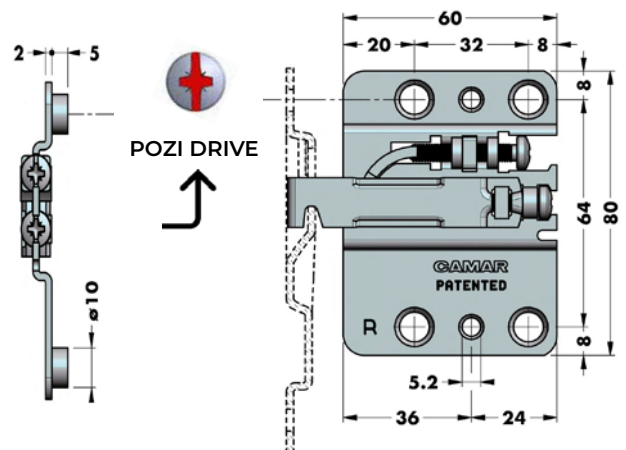
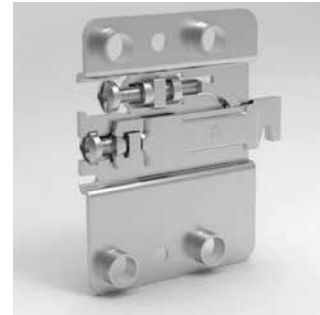
- **10mm Dowel mount** or **Screw mount with 10mm shoulder Socket**
- Available with Pozi or Hex drive adjustment screw
- Easy slide cover caps
- Installs with 120mm x 120mm or 60mm x 70mm **Anti-drop** wall plate feature
- Bracket assembly tool available
- Drilling Template available
- 528 lbs. weight capacity per pair
- Mounting screws not included



DOWEL MOUNT BRACKETS



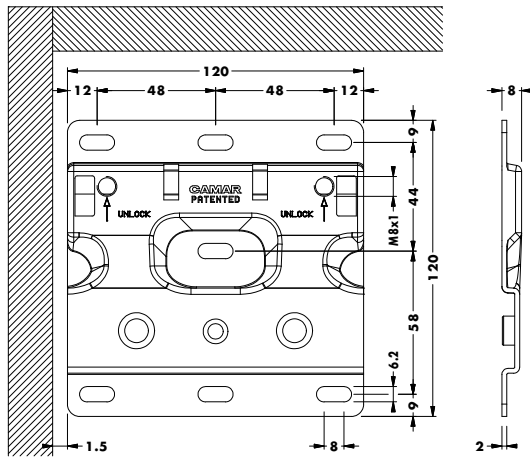
SCREW MOUNT BRACKET



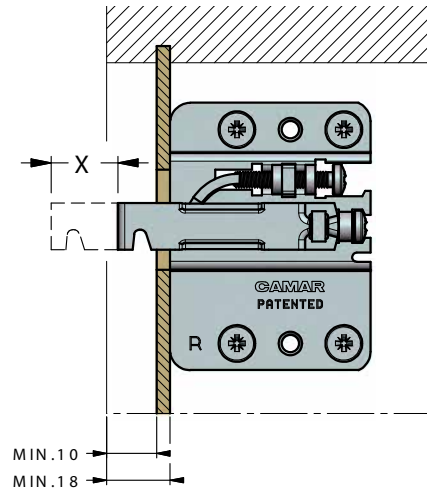
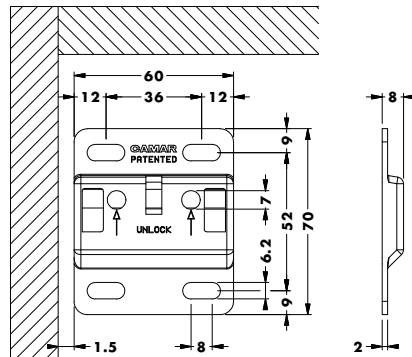
807 ANTI-DROP WALL PLATES



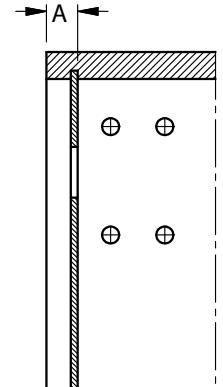
Wall Plate
120mm x 120mm



Wall Plate
60mm x 70mm



A	X
18	19
19	18
20	17
21	16
22	15
23	14
24	13
25	12



807-MA-00

Drill Template
Aluminum



807-MA-P2

Drill Template
Plastic



Cover Cap



807-00-AP

Bracket
Assembly Tool



807-55-SD

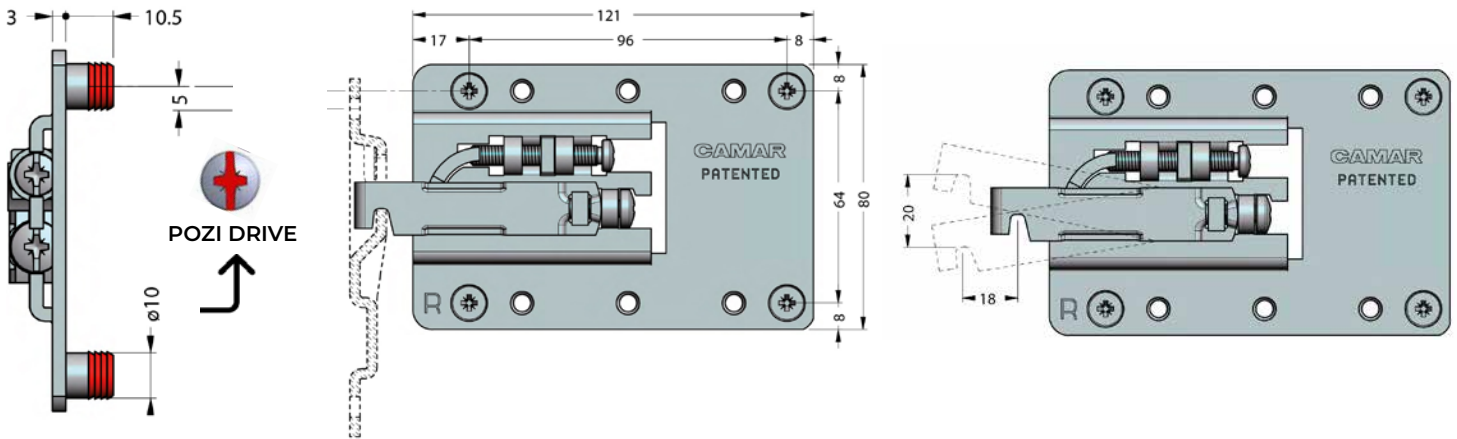
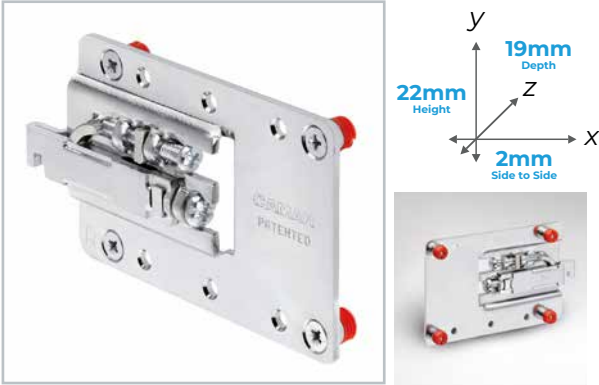
22-3/4" Screw Driver

Description	Item Number (Left Mount)	Item Number (Right Mount)	Mounting Type	Finish	Packed
807 Base Cabinet Hanging Bracket, POZI DRIVE	807-Z1-SX	807-Z1-DX	10mm Dowel	Steel	100 / Box
807 Hanging Bracket Complete Set, POZI DRIVE (Includes: 2 Plates 120x120 + 2 White Covers)	400-807		10mm Dowel	White	1 Each
807 Base Cabinet Hanging Bracket, HEX DRIVE	807-E1-SX	807-E1-DX	10mm Dowel	Steel	100 / Box
807 Base Cabinet Hanging Bracket, WOOD SCREW SHOULDER MOUNT	807-VP-SX	807-VP-DX	Wood Screw	Steel	100 / Box
Anti-Drop Wall Plate, 120mm x 120mm	897-AS-Z2		-	Steel	100 / Box
Anti-Drop Wall Plate, 60mm x 70mm	897-AS-Z1		-	Steel	200 / Box
Cover Cap for 807 Hanging Bracket	807-01-SX	807-01-DX	-	White	400 / Box
Cover Cap for 807 Hanging Bracket	807-02-SX	807-02-DX	-	Black	400 / Box
Drill Template for 807 Hanging Bracket	807-MA-00		-	Aluminum	1 Each
Drill Template for 807 Hanging Bracket	807-MA-P2		-	ABS Plastic	1 Each
Bracket Assembly Tool for 807 Dowel Mount	807-00-AP		-	Steel/Plastic	1 Each
Screw Driver, 22-3/4" Pozi Drive for 807 Brackets	807-55-SD		-	Steel/Plastic	1 Each

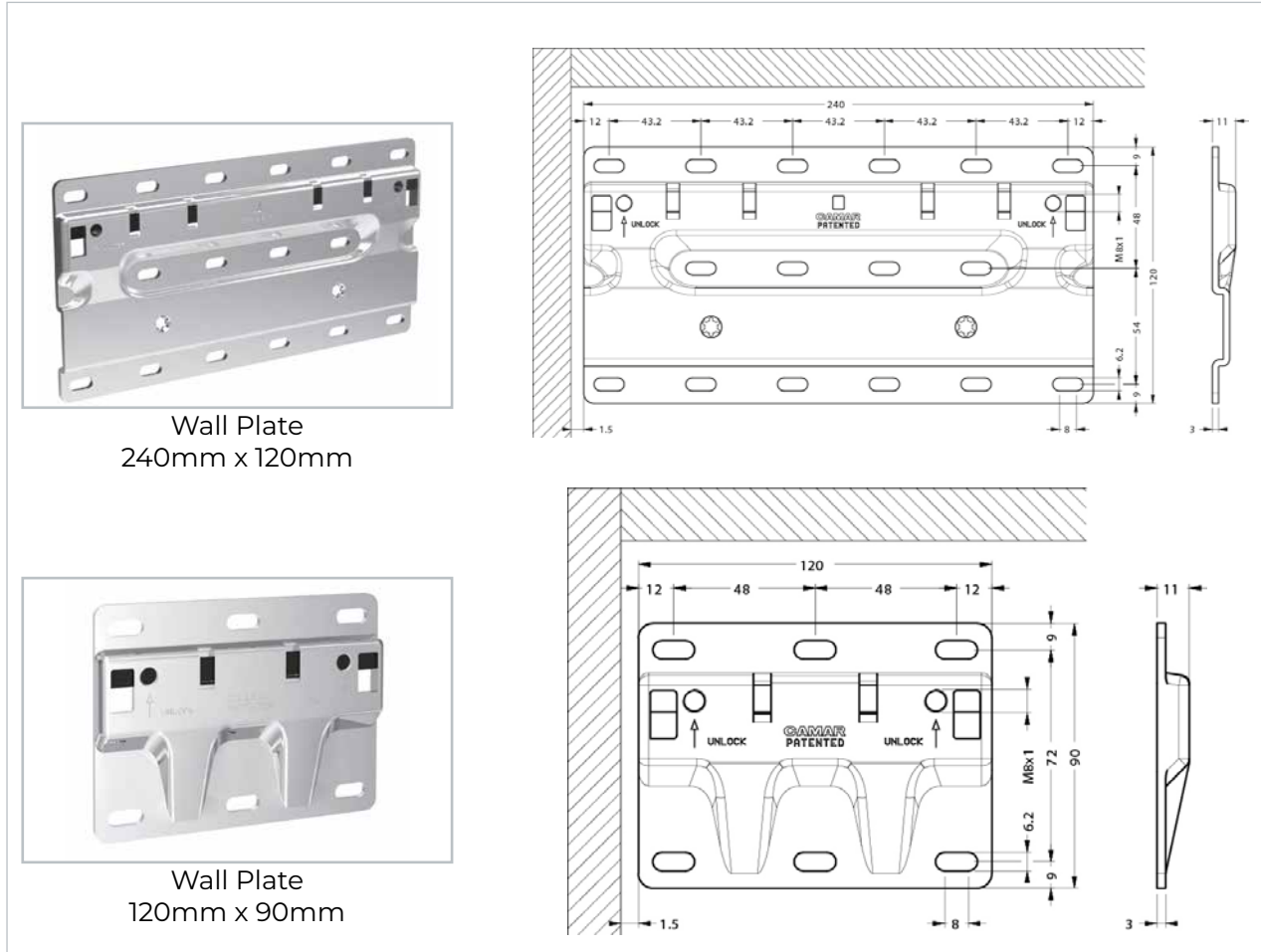
807XL SHORT & DEEP BASE CABINET HANGING BRACKET

CAMAR

- 10mm Dowel mount
- Pozi drive adjustment screw
- Easy slide cover caps
- Installs with 120mm x 240mm or 120mm x 90mm **Anti-drop** wall plate feature
- 308 lbs. weight capacity per pair
- Mounting screws not included



807XL ANTI-DROP WALL PLATES



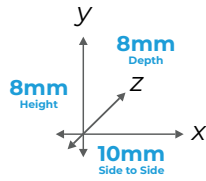
Wall Plate
240mm x 120mm

Wall Plate
120mm x 90mm



Description	Item Number (Left Mount)	Item Number (Right Mount)	Mounting Type	Finish	Packed
807XL Base Cabinet Hanging Bracket	807-XL-SX	807-XL-DX	10mm Dowel	Steel	100 / Box
Anti-Drop Wall Plate, 240mm x 120mm	807-XL-24		-	Steel	20 / Box
Anti-Drop Wall Plate, 120mm x 90mm	807-XL-90		-	Steel	50 / Box
Cover Cap for 807XL Hanging Bracket	807-XL-01		-	White	400 / Box

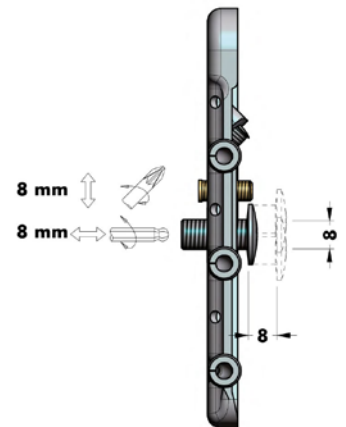
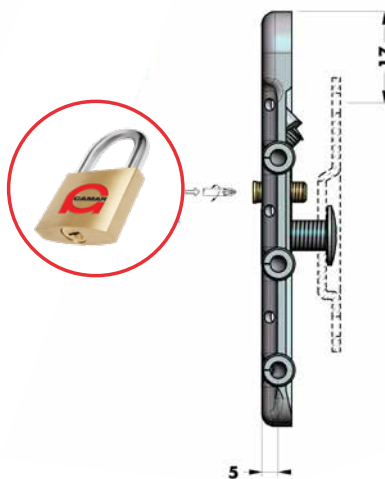
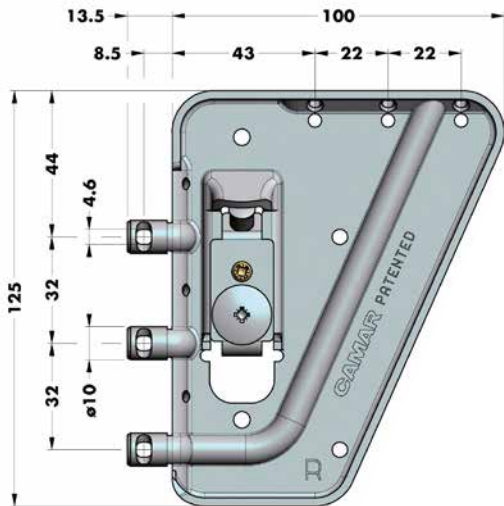
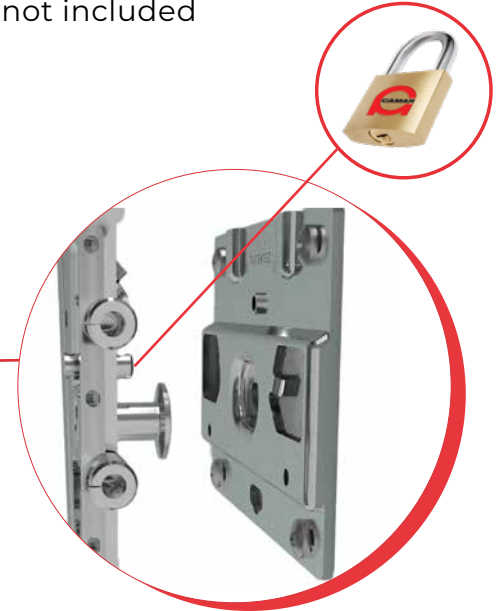
Concealed Base Cabinet Bracket



819 CONCEALED BASE CABINET HANGING BRACKET

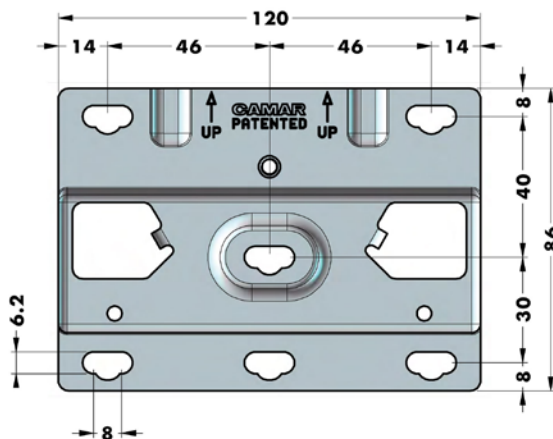
CAMAR

- Dowel and wood screw mount
- Mounts behind the cabinet
- Installs with 86mm x 120mm wall plate with **safety lock** feature
- Cover caps available
- 353 lbs. weight capacity per pair
- Mounting screws not included

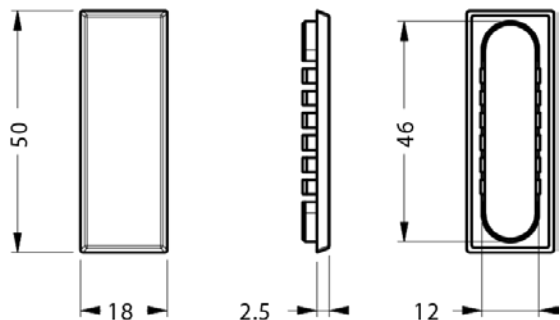
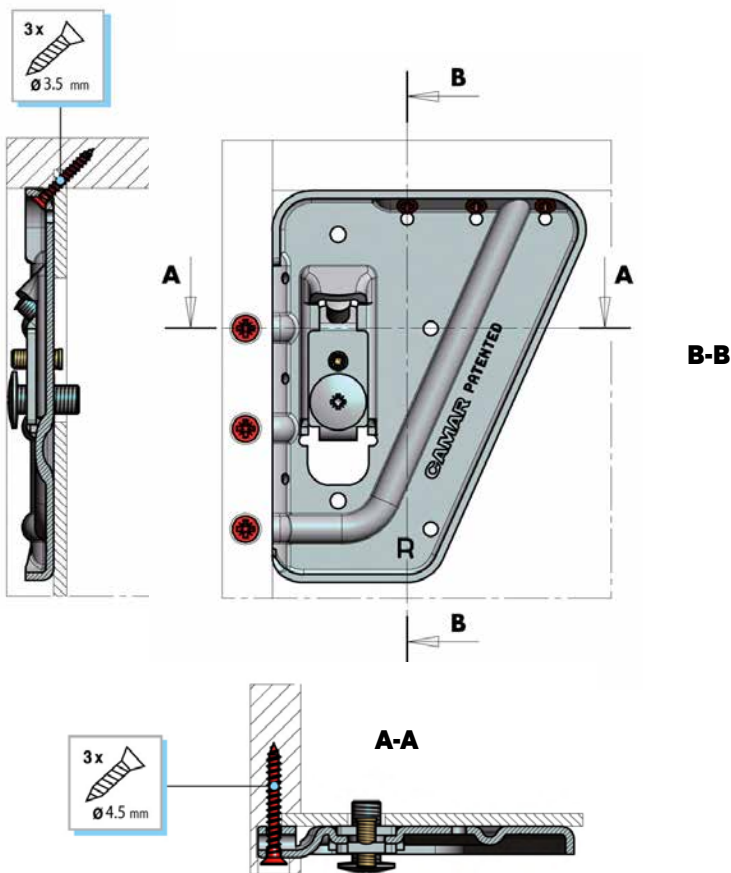
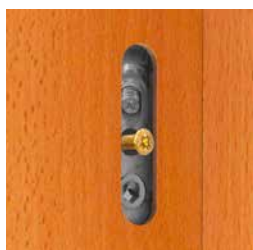




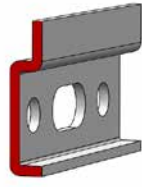
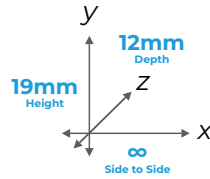
Wall Plate
120mm x 86mm



Ø 50 X 18mm
Slotted Hole
Cover Cap



Description	Item Number (Left Mount)	Item Number (Right Mount)	Mounting Type	Finish	Packed
819 Concealed Base Cabinet Hanging Bracket	819-E1-SX	819-E1-DX	10mm Dowel	Steel	50 / Box
Anti-Drop Wall Plate, 120mm x 86mm	897-AS-V2		-	Steel	100 / Box
Cover Cap for 819 Brackets	810-B2-01		-	White	100 / Box
Cover Cap for 819 Brackets	810-B2-75		-	Silver	100 / Box



875-Z1 Rails

704 WALL CABINET HANGING BRACKET

CAMAR®

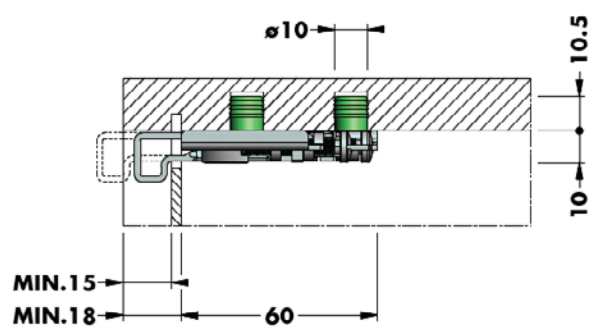
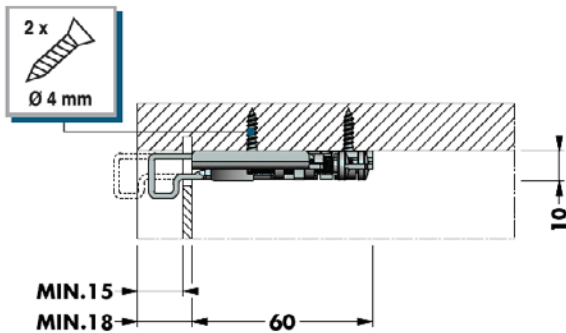
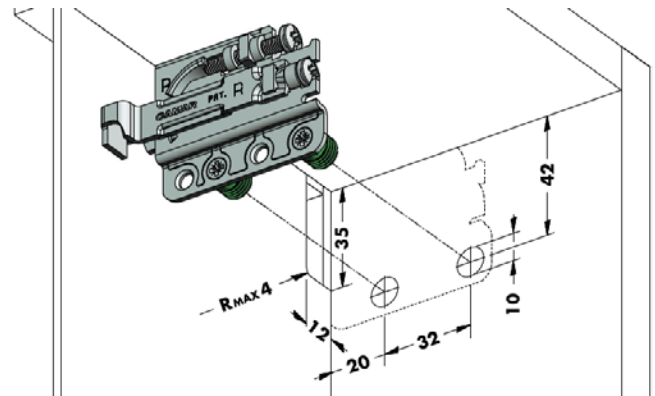
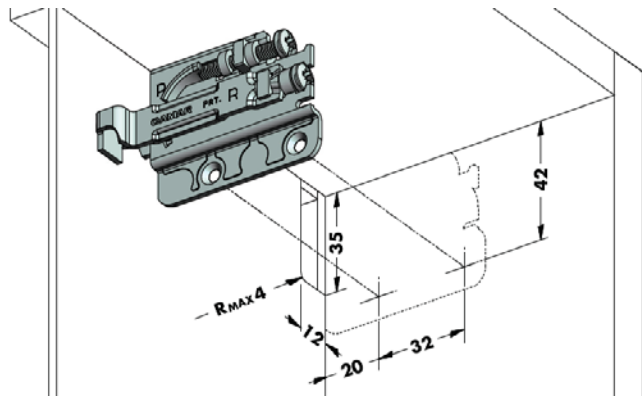
- Slim design, steel nickel plated finish
- 180 lbs. weight capacity per pair (Screw)
- For #8 (4.1mm) flat head screw mount
- 340 lbs. weight capacity per pair (Dowel)
- 10mm Dowel mount
- Optional cover caps available
- ∞ Side to Side adjustment is achieved by sliding left to right on the hanging rail
- Mounting screws not included
- *For side panel notching details, see page 26*



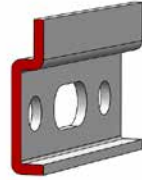
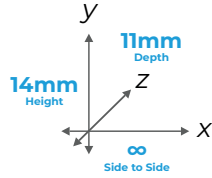
Screw Mount



Dowel Mount



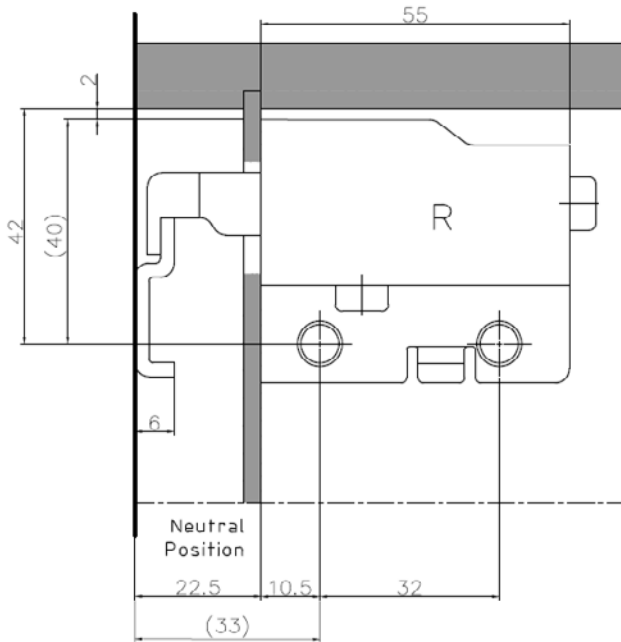
Description	Item Number (Left Mount)	Item Number (Right Mount)	Finish	Packed
704 Metal Wall Bracket, Screw	704-VI-SX	704-VI-DX	Steel	200 / Box
704 Metal Wall Bracket, Dowel	704-IN-SX	704-IN-DX	Steel	200 / Box
Cover Cap Only	801-01-SX	801-01-DX	White	400 / Box
Cover Cap Only	801-02-SX	801-02-DX	Black	400 / Box
Cover Cap Only	801-04-SX	801-04-DX	Brown	400 / Box



875-Z1 Rails

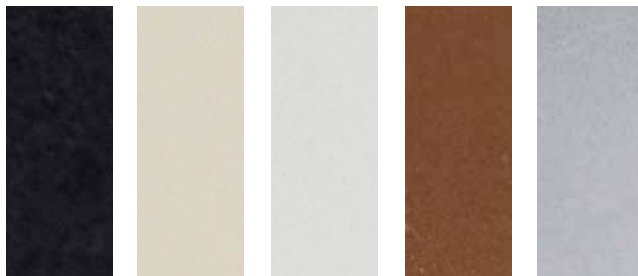
METAL WALL CABINET HANGING BRACKET

- LGA and ENTELA tested
- Attaches with countersunk Euro-screws
- Optional ABS cover caps available
- 180 lbs. weight capacity per pair
- ∞ Side to Side adjustment is achieved by sliding left to right on the hanging rail
- Mounting screws not included
- *For side panel notching details, see page 26*



Slide / Snap-On Cover

COVER CAP COLORS



Black Beige White Lt. Brown Silver



Description	Item Number (Left Mount)	Item Number (Right Mount)	Finish	Packed
Cabinet Metal Bracket	16.85450	16.85451	Zinc	200 / Box
Cover Cap Only	16.85252.002	16.85253.002	Black	50 / Box
Cover Cap Only	16.85252.101	16.85253.101	Beige	50 / Box
Cover Cap Only	16.85252.680	16.85253.680	White	200 / Box
Cover Cap Only	16.85252.801	16.85253.801	Light Brown	50 / Box
Cover Cap Only	16.85252.906	16.85253.906	Silver	50 / Box

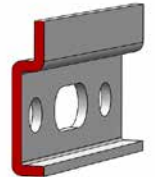
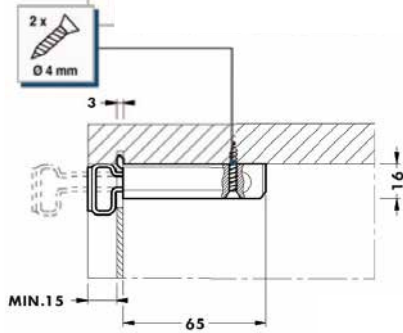
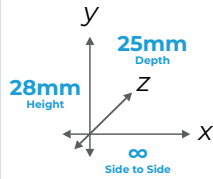
806 WALL CABINET HANGING BRACKET

CAMAR®

- Screw mount: 220 lbs. weight capacity per pair
- Dowel Mount: 280 lbs. weight capacity per pair
- ∞ Side to Side adjustment is achieved by sliding left to right on the hanging rail
- Mounting screws not included
- *For side panel notching details, see page 26*



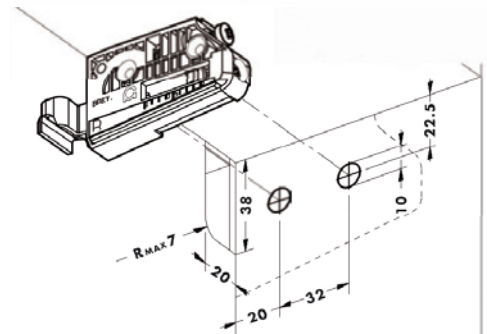
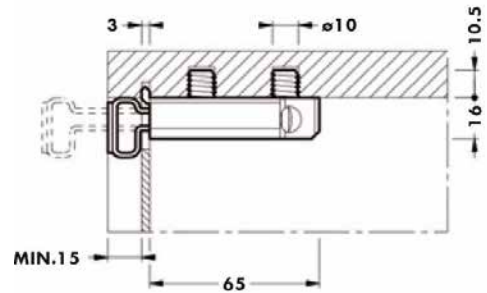
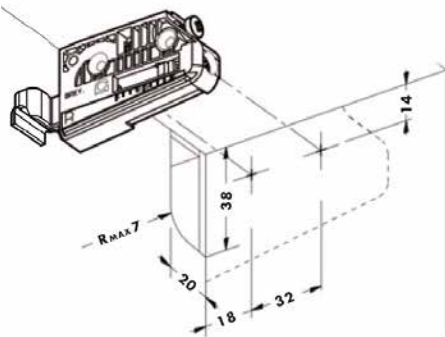
Screw Mount



875-Z1 Rails



Dowel Mount



COVER CAP COLORS

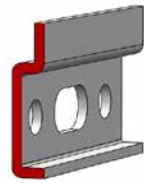
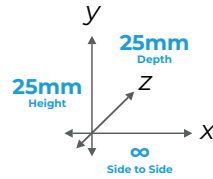


Description	Item Number (LEFT Mount)	Item Number (RIGHT Mount)	Finish	Packed
806 Bracket Only, Screw mount	806-00-SX	806-00-DX	White	100 / Box
806 Bracket Only, Dowel mount	806-P2-SX	806-P2-DX	White	100 / Box
806 Bracket, Screw mount with White Cover	806-14-SX	806-14-DX	White	100 / Box
806 Bracket, Dowel mount with White Cover	806-22-SX	806-22-DX	White	100 / Box
Cover Cap Only	806-01-SX	806-01-DX	White	100 / Box
Cover Cap Only	806-02-SX	806-02-DX	Black	400 / Box
Cover Cap Only	806-04-SX	806-04-DX	Brown	400 / Box
Cover Cap Only	806-15-SX	806-15-DX	Grey	400 / Box
Cover Cap Only	806-32-SX	806-32-DX	Candle light	400 / Box
Cover Cap Only	806-55-SX	806-55-DX	Almond	400 / Box
Cover Cap Only	806-NS-SX	806-NS-DX	Brushed Nickel	400 / Box

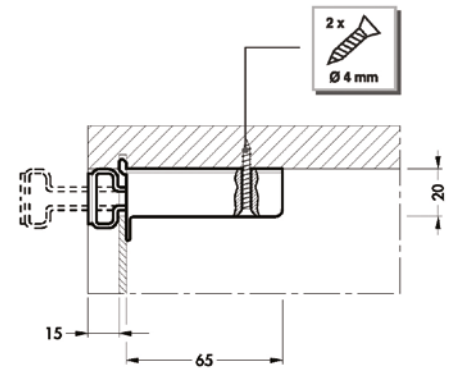
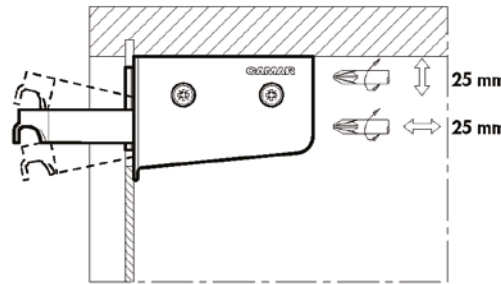
814 WALL CABINET HANGING BRACKET

CAMAR®

- Screw mount
- ABS casing with metal internal components
- 220 lbs. weight capacity per pair
- ∞ Side to Side adjustment is achieved by sliding left to right on the hanging rail
- Mounting screws not included
- *For side panel notching details, see page 26*



875-Z1 Rails

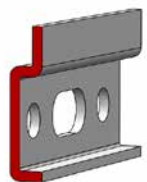
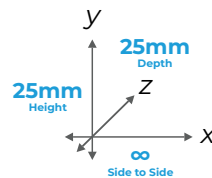


Description	Item Number (Left Mount)	Item Number (Right Mount)	Finish	Packed
814 Bracket, Screw Mount	814-01-SX	814-01-DX	White	100 X Box

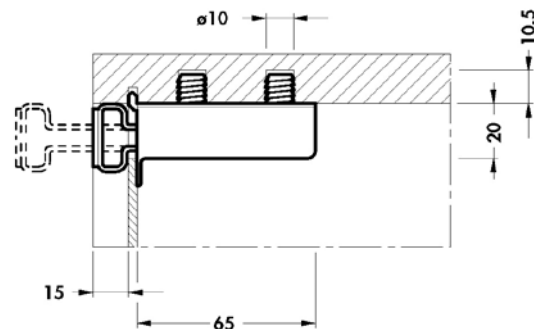
822 WALL HANGING BRACKET

CAMAR®

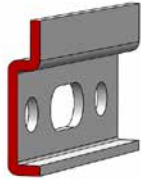
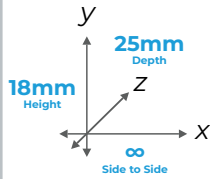
- Dowel mount, 10mm
- ABS casing with metal internal components
- 308 lbs. weight capacity per pair
- ∞ Side to Side adjustment is achieved by sliding left to right on the hanging rail
- Mounting screws not included
- *For side panel notching details, see page 26*



875-Z1 Rails



Description	Item Number (Left Mount)	Item Number (Right Mount)	Finish	Packed
822 Bracket, Dowel Mount	822-01-SX	822-01-DX	White	100 / Box

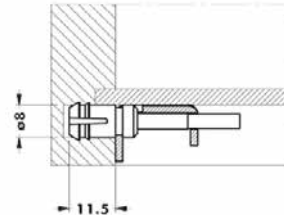
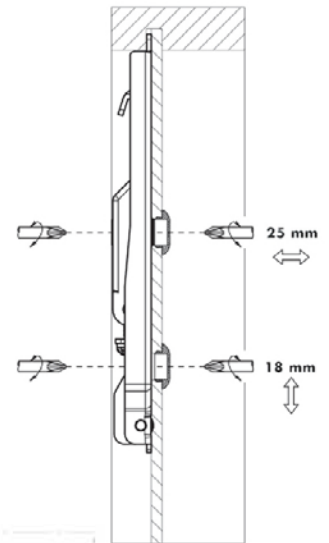
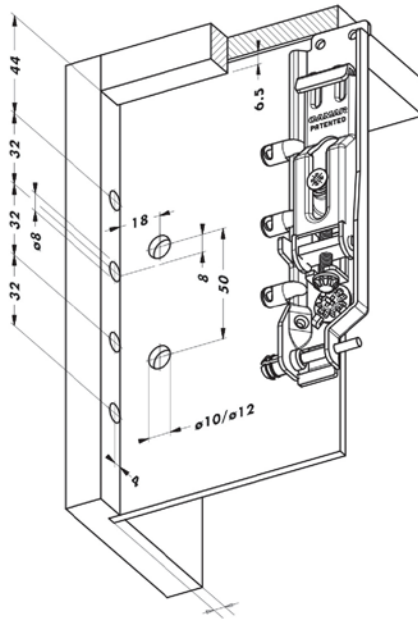
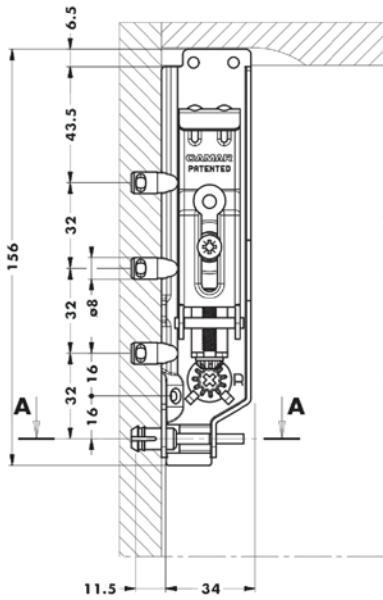


875-Z1 Rails

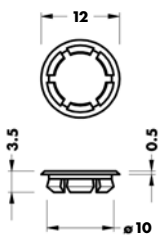
817-AU WALL CABINET HANGING BRACKET

CAMAR®

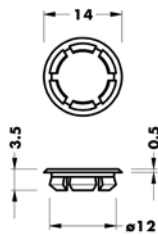
- Mounting: (x3) 8mm dowel and (x1) 8mm knock-in-dowel
- For **automation assembly**
- Installed during cabinet assembly
- Various cover cap options
- 176 lbs. weight capacity per pair
- ∞ Side to Side adjustment is achieved by sliding left to right on the hanging rail
- Mounting screws not included



Ø 12mm Cover Cap



Ø 14mm Cover Cap



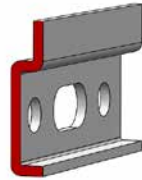
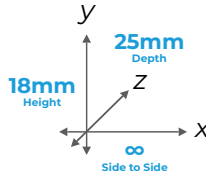
Description	Item Number (Left Mount)	Item Number (Right Mount)	Finish	Packed
817 Concealed Cabinet Hanging Bracket	817-AU-SX	817-AU-DX	Steel	100 / Box
Cover Cap for 817-AU-XX, 10mm Hole, 12mm Diam.		810-12-01	White	100 / Box
Cover Cap for 817-AU-XX, 10mm Hole, 12mm Diam.		810-12-15	Grey	100 / Box
Cover Cap for 817-AU-XX, 10mm Hole, 12mm Diam.		810-12-75	Silver	100 / Box
Cover Cap for 817-AU-XX, 12mm Hole, 14mm Diam.		810-14-01	White	100 / Box

Concealed Wall Cabinet Brackets

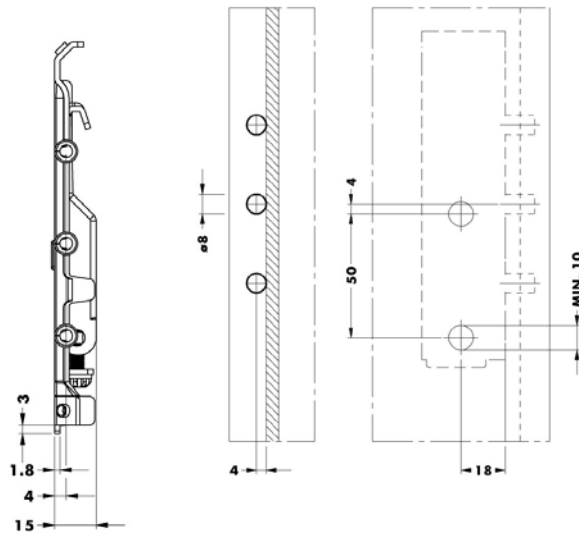
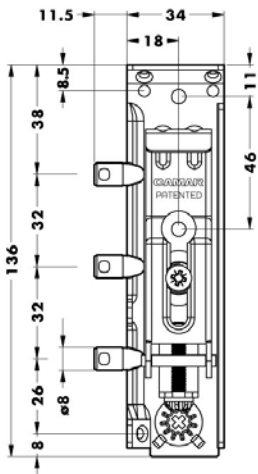
817-D8 WALL CABINET HANGING BRACKET

CAMAR

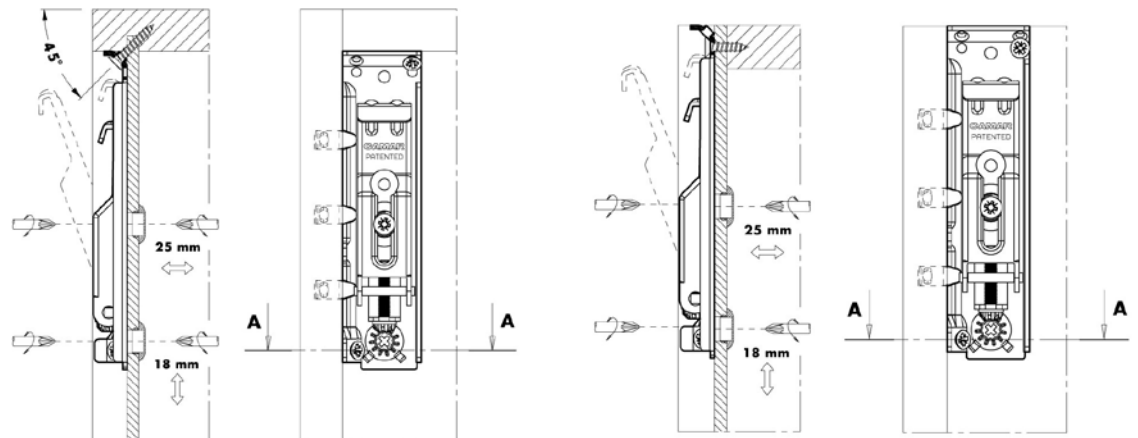
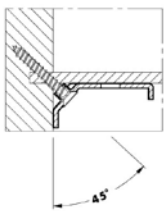
- Mounting: (x3) 8mm dowel and wood fixing screws
- Various cover cap options (Page 12)
- 176 lbs. weight capacity per pair
- ∞ Side to Side adjustment is achieved by sliding left to right on the hanging rail
- Mounting screws not included



875-Z1 Rails



A-A

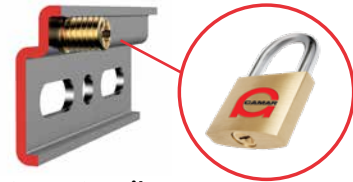
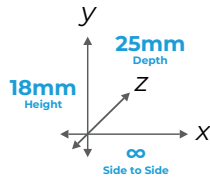


Description	Item Number (Left Mount)	Item Number (Right Mount)	Finish	Packed
817 Concealed Cabinet Hanging Bracket	817-D8-SX	817-D8-DX	Steel	100 / Box
Cover Cap for 817-D8-XX, 10mm Hole, 12mm Diam.		810-12-01	White	100 / Box
Cover Cap for 817-D8-XX, 10mm Hole, 12mm Diam.		810-12-15	Grey	100 / Box
Cover Cap for 817-D8-XX, 10mm Hole, 12mm Diam.		810-12-75	Silver	100 / Box
Cover Cap for 817-D8-XX, 12mm Hole, 14mm Diam.		810-14-01	White	100 / Box

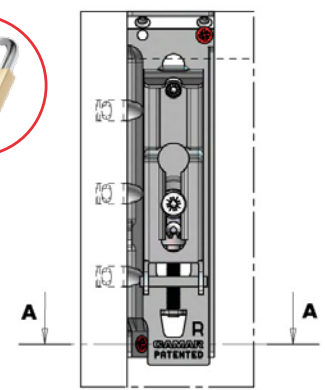
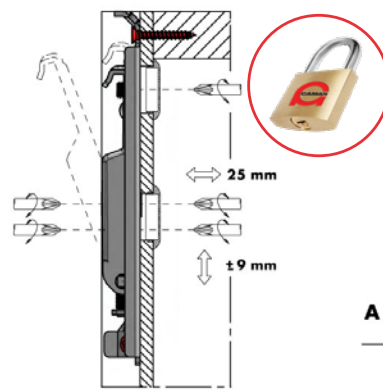
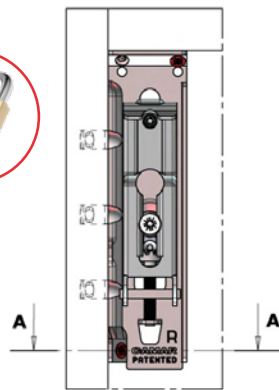
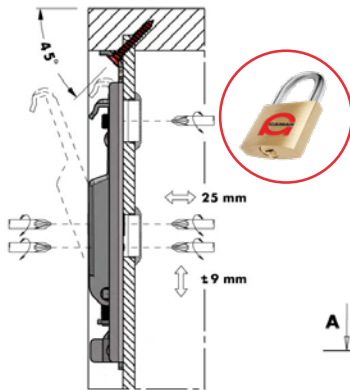
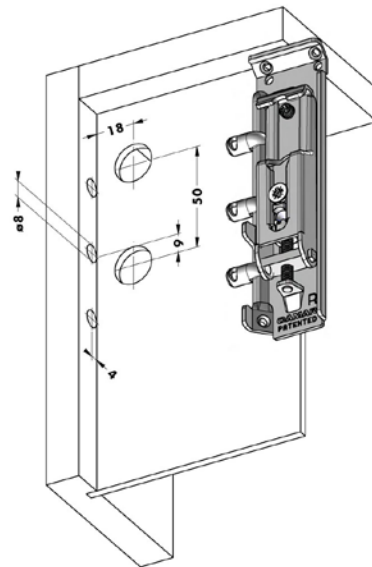
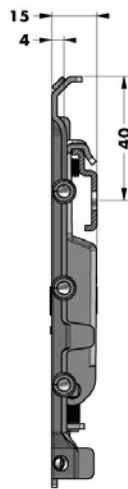
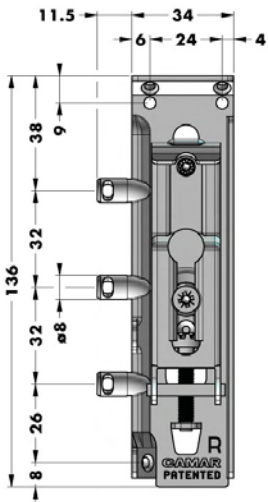
817-V1 WALL CABINET HANGING BRACKET

CAMAR

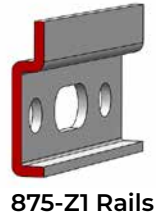
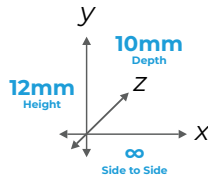
- Mounting: (x3) 8mm dowel and wood fixing screws
- With **safety lock screw**
- Various cover cap options (Page 13)
- 176 lbs. weight capacity per pair
- ∞ Side to Side adjustment is achieved by sliding left to right on the hanging rail
- Mounting screws not included



875-AS Rails



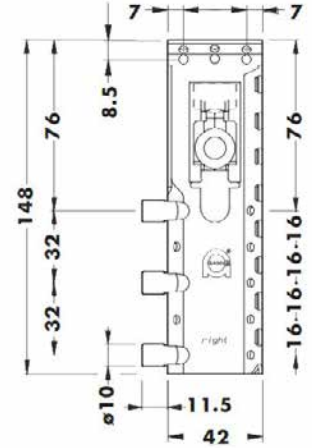
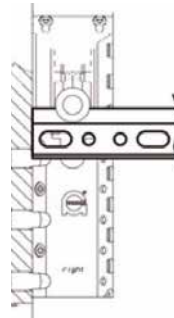
Description	Item Number (Left Mount)	Item Number (Right Mount)	Finish	Packed
817 Concealed Cabinet Hanging Bracket	817-V1-SX	817-V1-DX	Steel	100 / Box
Cover Cap for 817-V1-XX, 18mm Hole, 20mm Diam.		810-20-01	White	100 / Box
Cover Cap for 817-V1-XX, 20 x 14mm Slotted Hole		810-1B-01	White	100 / Box
Cover Cap for 817-V1-XX, 20 x 14mm Double Drilled Hole		810-2B-01	White	100 / Box



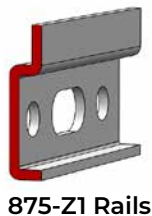
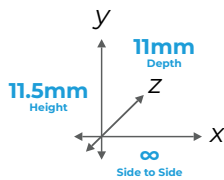
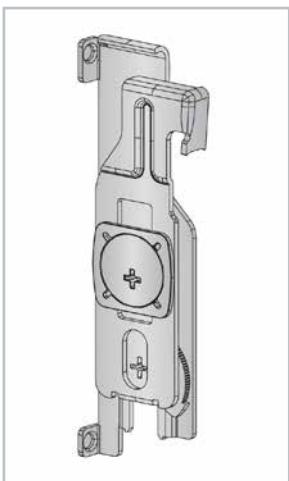
816 WALL CABINET HANGING BRACKET



- Dowel or screw mount
- Cover caps available
- 286 lbs. weight capacity per pair
- ∞ Side to Side adjustment is achieved by sliding left to right on the hanging rail
- Mounting screws not included

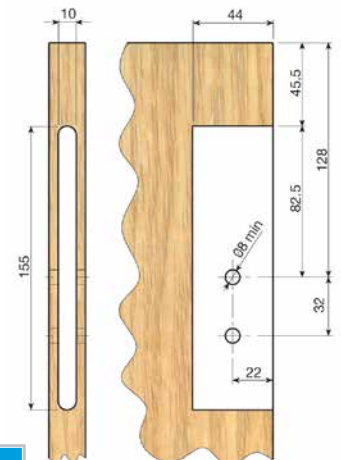


Description	Item Number (Left Mount)	Item Number (Right Mount)	Finish	Packed
816 Concealed Cabinet Bracket	816-DU-SX	816-DU-DX	Steel	100 / Box
Cover Cap 40x20mm Oval		810-00-01	White	400 / Box
Cover Cap 40x20mm Oval		810-00-02	Black	400 / Box
Cover Cap 40x20mm Oval		810-00-15	Grey	400 / Box
Cover Cap 40x20mm Oval		810-00-04	Brown	400 / Box
Cover Cap 40x20mm Oval		810-00-55	Almond	400 / Box
Cover Cap 10mm Round		810-10-01	White	100 / Box
Cover Cap 35mm Round		810-35-01	White	400 / Box



TRASER 7 WALL CABINET HANGING BRACKET

- Heavy-duty bracket
- Universal bracket
- Concealed in cabinet sides
- 286 lbs. weight capacity per pair
- ∞ Side to Side adjustment is achieved by sliding left to right on the hanging rail
- Mounting screws not included

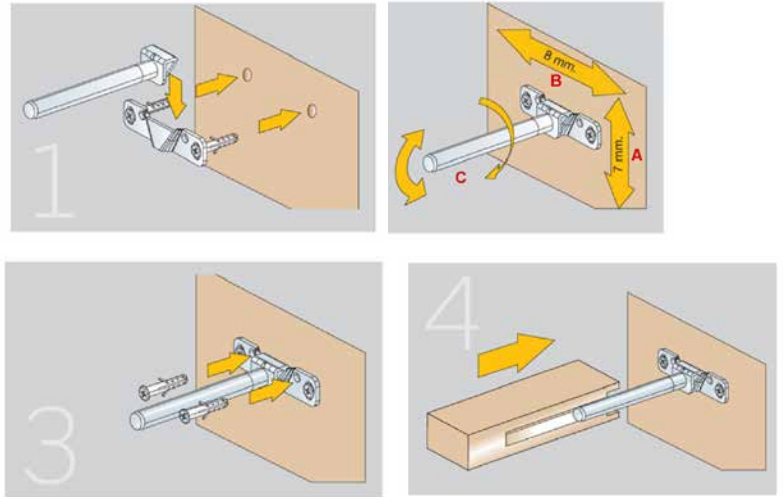
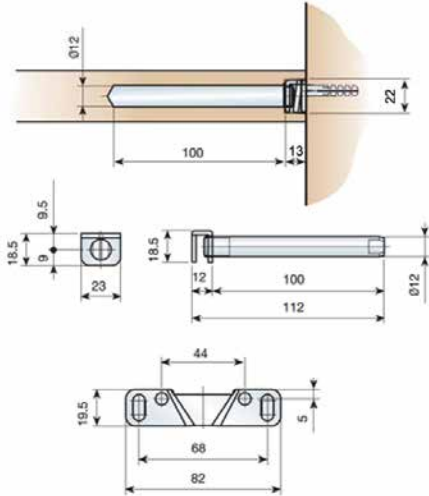


Description	Item Number	Finish	Packed
TRASER 7, Concealed Cabinet Bracket	626.000.104	Zinc	100 / Box



TENTI-8 INVISIBLE SHELF SUPPORT

- Completely concealed
- Allows the shelf to be adjusted in any direction
- Mounting hardware included in the polybag
- *8" Shelf depth max load is 17kg or 37.4lbs
- *12" Shelf depth max load is 11.5kg or 25.3 lbs
- 100 bags per box (also sold individually)



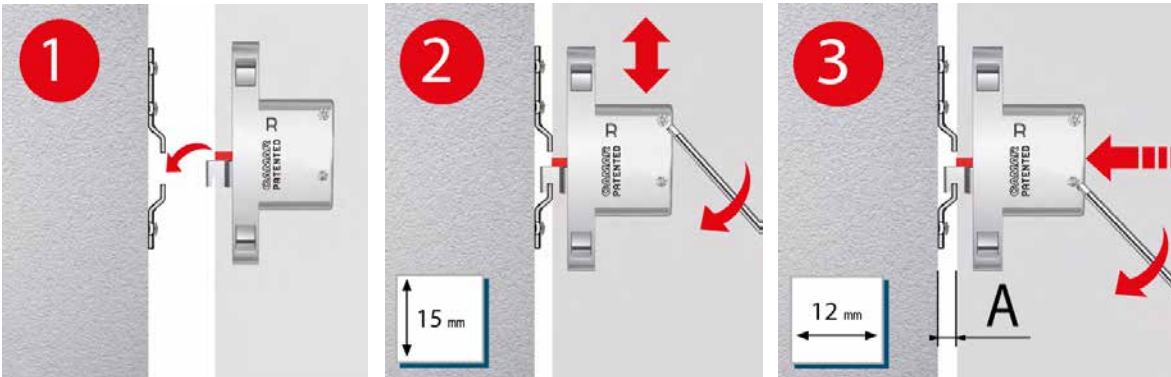
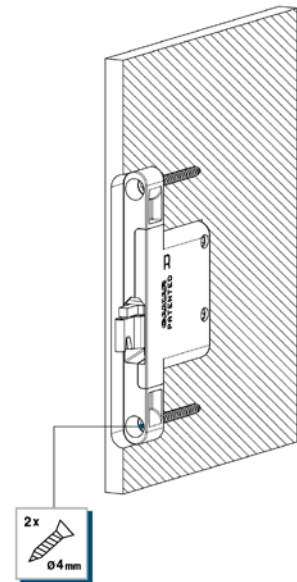
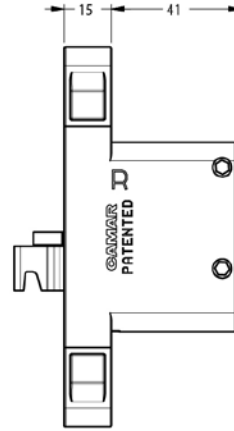
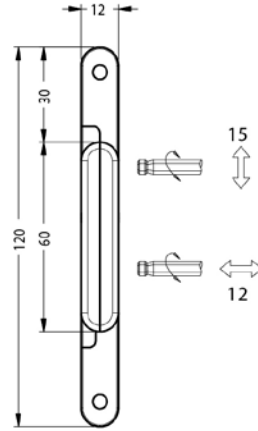
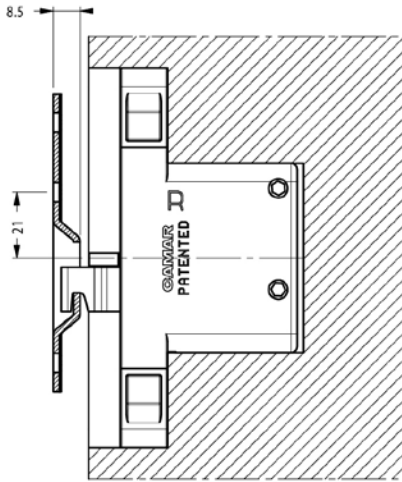
Description	Item Number	Finish	Packed
TENTI-8, Invisible Shelf Support	632.500.105	Steel	100 / Box

* The tests are achieved by 2 supports with a shelf length of 35". For every 18" additional shelf length, please add 1 additional shelf support.

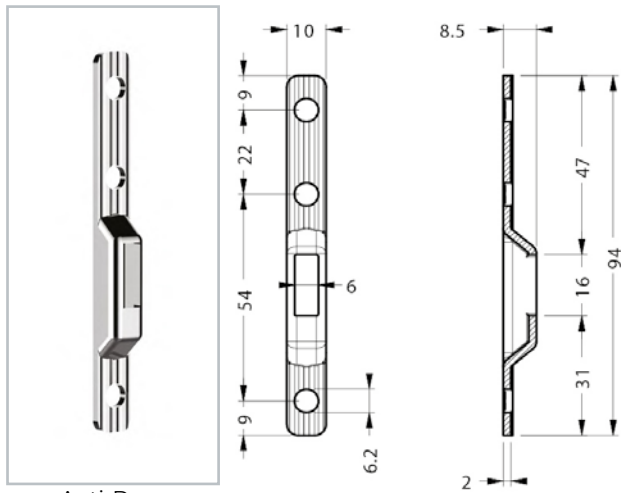
821-12 SIDE PANEL HANGING BRACKET

CAMAR®

- Mounting: (x2) wood fixing screws
- Concealed in cabinet sides
- For 18mm min. panel thickness
- Used with 10mm x 94mm wall plate with **safety lock** feature
- Cover caps available
- Optional installation tool adapter and extrusion are available to use as a drilling guide
- 132 lbs. weight capacity per pair
- Mounting screws not included



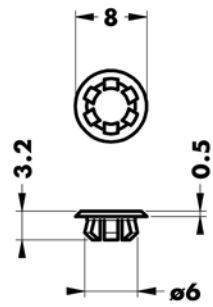
After assembly, verify that the anti-drop system has been activated.



Anti-Drop Wall Plate



Ø 8mm Cover Cap



Installation Tool Adapter



2000mm Installation Tool Extrusion

USING INSTALLATION TOOL ADAPTER



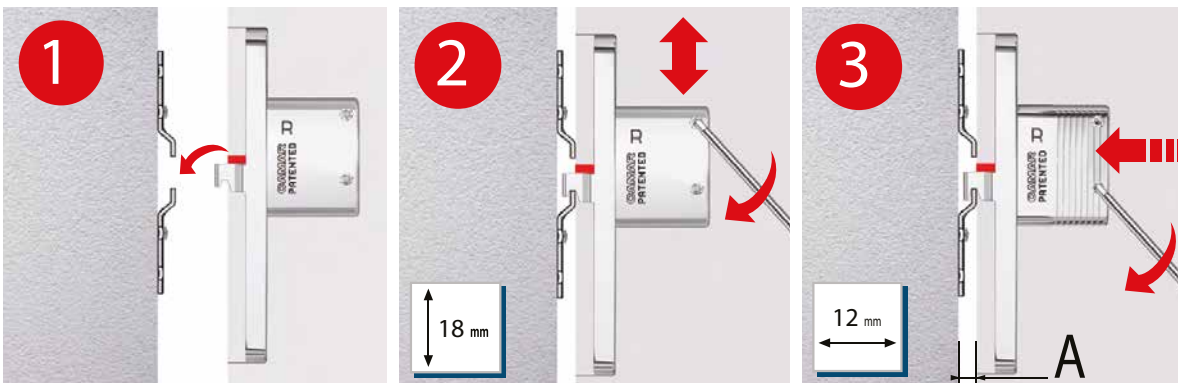
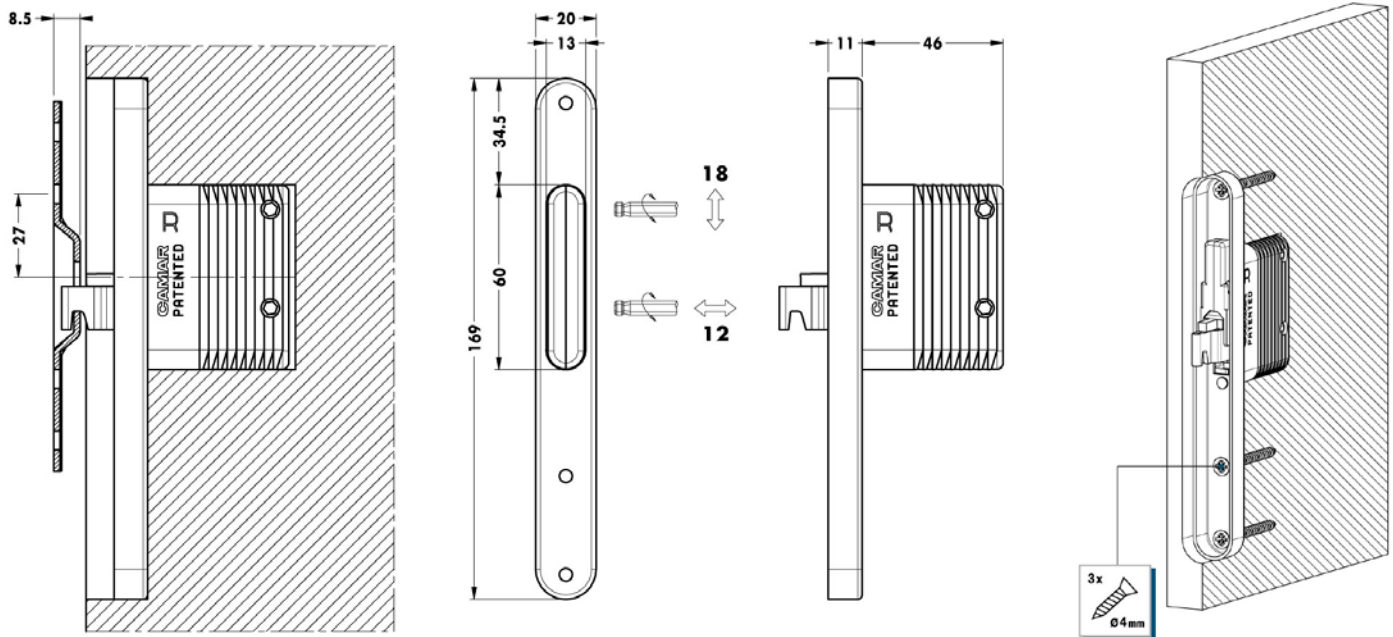
Description	Item Number (Left Mount)	Item Number (Right Mount)	Finish	Packed
821 Insert Hanging Bracket	821-12-SX	821-12-DX	Steel	50 / Box
Anti-Drop Wall Plate for 821-12 Hanger, 10 x 94mm		895-AS-Z3	Steel	200 / Box
Cover Cap for 821 Hanger, 6mm Hole, 8mm Diam.		810-08-01	White	100 / Box
Installation Tool - Adapter for 821-12 Hanger		895-AP-01	Black	10 / Box
Installation Tool - Extrusion 2000mm for 821 Hanger		895-AP-02	Black	10 / Box



821-20 SIDE PANEL HANGING BRACKET

CAMAR®

- Mounting: (x3) wood fixing screws
- Concealed in cabinet sides
- For 30mm min. panel thickness
- Used with 15mm x 120mm wall plate with **safety lock** feature
- Cover caps available
- Optional installation tool adapter and extrusion are available to use as a drilling guide
- 264 lbs. weight capacity per pair
- Mounting screws not included



A = 9-12 mm



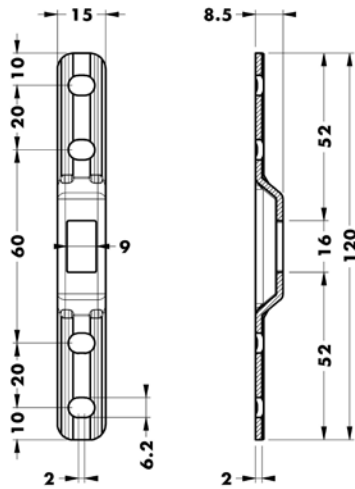
A = 0-9 mm



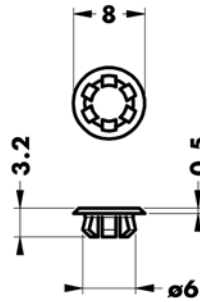
After assembly, verify that the anti-drop system has been activated.



Anti-Drop Wall Plate



Ø 8mm Cover Cap

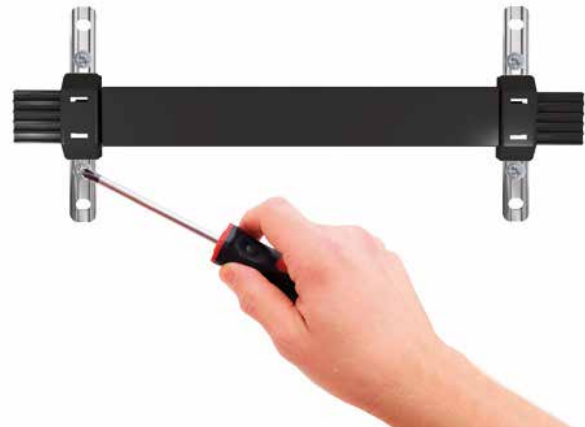


Installation Tool Adapter



2000mm Installation Tool Extrusion

USING INSTALLATION TOOL ADAPTER



Description	Item Number (Left Mount)	Item Number (Right Mount)	Finish	Packed
821 Insert Hanging Bracket	821-20-SX	821-20-DX	Steel	50 / Box
Anti-Drop Wall Plate for 821-20 Hanger, 15 x 120mm	895-AS-Z1		Steel	200 / Box
Cover Cap for 821 Hanger, 6mm Hole, 8mm Diam.	810-08-01		White	100 / Box
Installation Tool - Adapter for 821-20 Hanger	895-AP-00		Black	10 / Box
Installation Tool - Extrusion 2000mm for 821 Hanger	895-AP-02		Black	10 / Box

Hanging Rails



White



Brown



Almond

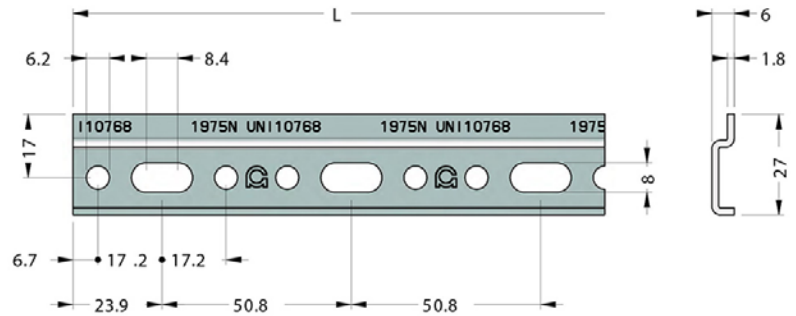


Grey

875-Z1 STEEL HANGING RAIL - LONG

- 1" wide x 8'2" or 7' 9-1/2" Long
- 1.8mm steel thickness (15 Gauge)
- Optional covers are available

CAMAR®



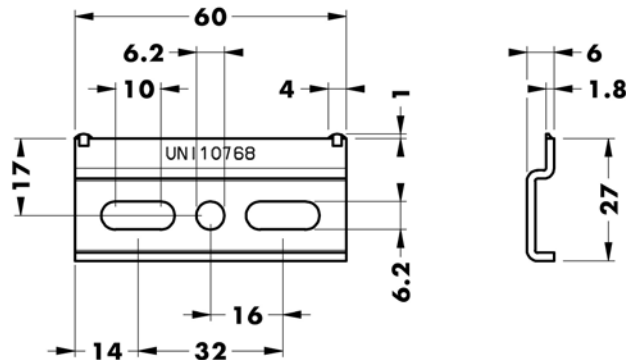
Description	Item Number	Finish	Packed
1" Steel Rail - 8'2" Long	875-Z1-24	Steel	10 / Tube
1" Steel Rail - 7' 9-1/2" Long	875-Z1-24S	Steel	10 / Tube
Plastic Cover for 875 Hanging Rail	883-01-24	White	50 / Box
Plastic Cover for 875 Hanging Rail	883-04-24	Brown	50 / Box
Plastic Cover for 875 Hanging Rail	883-55-24	Almond	50 / Box
Plastic Cover for 875 Hanging Rail	883-71-24	Grey	50 / Box



875-Z1 STEEL HANGING RAIL - SHORT

- 1" wide x 2-3/8" long
- 1.8mm steel thickness (15 Gauge)

CAMAR®

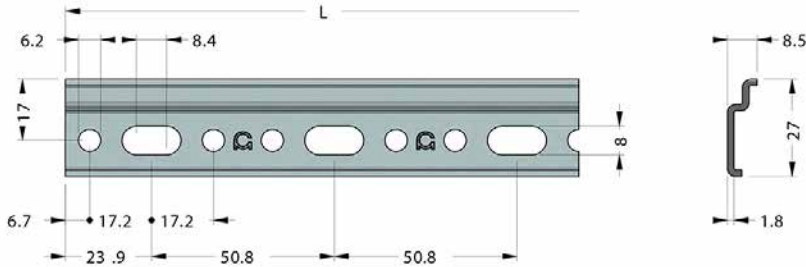


Description	Item Number	Finish	Packed
1" Steel Rail - 2-3/8" Long with Safety Stop	875-Z1-60	Steel	200 / Box

875-AS STEEL HANGING RAIL - LONG

CAMAR®

- 1" wide x 7' 9-1/2" long
- 1.8mm steel thickness (15 Gauge)
- Optional covers are available
- For **safety lock** concealed hanging brackets

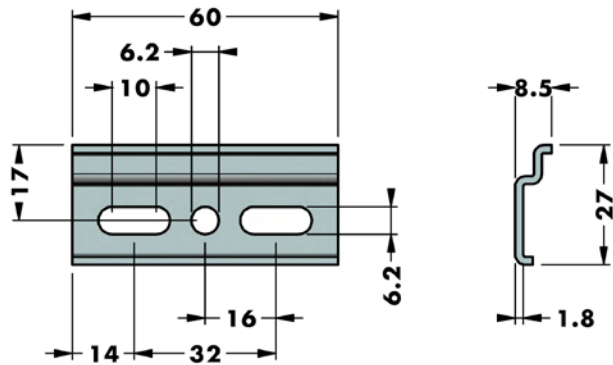


Description	Item Number	Finish	Packed
1" Steel Rail - 7' 9-1/2" Long With Safety Lock	875-AS-24S	Steel	10 / Tube

875-AS STEEL HANGING RAIL - SHORT

CAMAR®

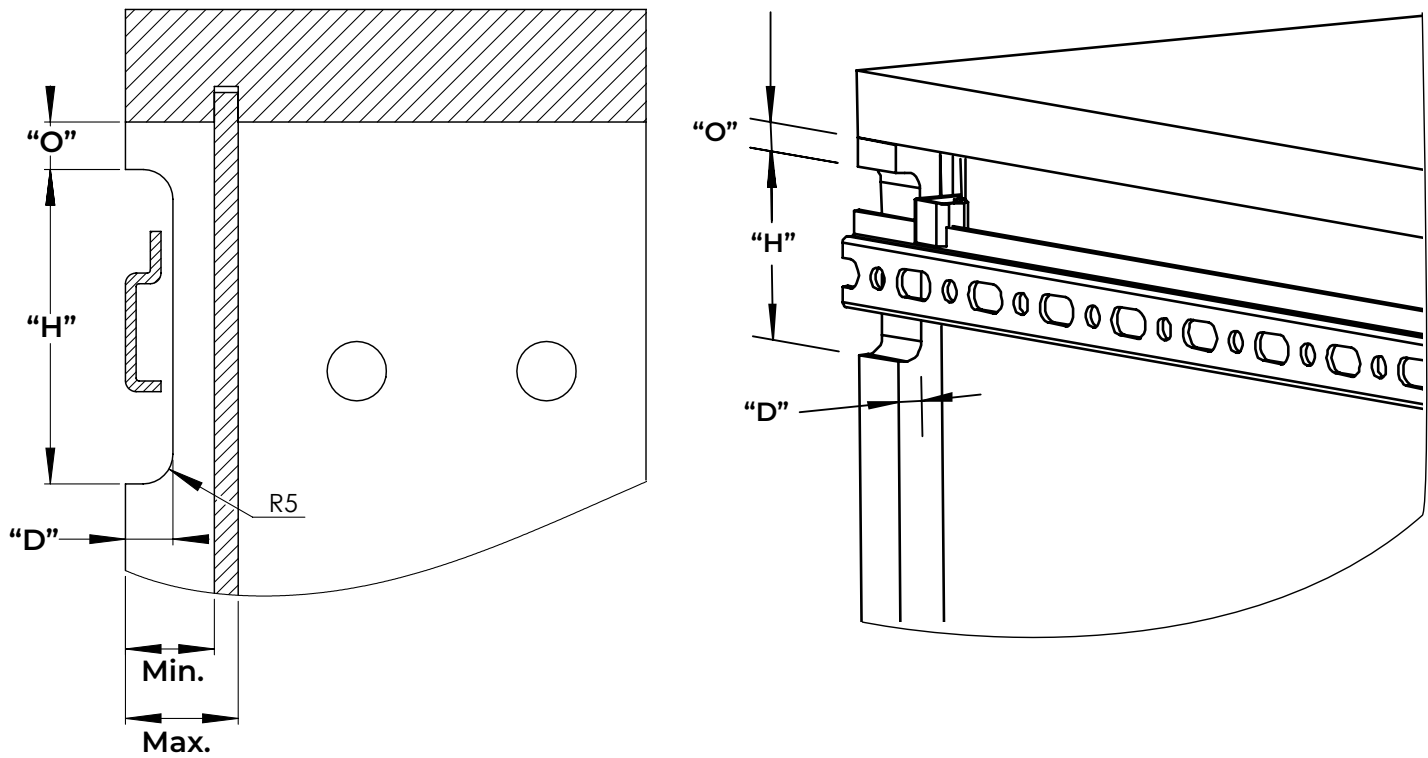
- 1" wide x 2-3/8" long
- 1.8mm steel thickness (15 Gauge)
- For **safety lock** concealed hanging brackets



Description	Item Number	Finish	Packed
1" Steel Rail - 2-3/8" Long With Safety Lock	875-AS-60	Steel	200 / Box

Side Panel Notching

- Side panel notching allows for hanging rail pass thru during installation
- Side panel notching is not required on finished cabinet end panels



Item Numbers (Left and Right)	Notch Height "H"	Notch Depth "D"	Notch Offset "O"	Back Panel "Min."	Back Panel "Max."
704-IN-SX 704-IN-DX	53mm	8mm	8mm	15mm	18mm
16.85450 16.85451	53mm	8mm	8mm	15mm	25mm
806-00-SX 806-00-DX	54mm	8mm	8mm	15mm	18mm
806-P2-SX 806-P2-DX	54mm	8mm	8mm	15mm	18mm
814-01-SX 814-01-DX	50mm	8mm	14mm	15mm	18mm
822-01-SX 822-01-DX	50mm	8mm	14mm	15mm	18mm

Conversion Chart

Fractions	Inches	mm	Fractions	Inches	mm
1/64	.0156	.3969	33/64	.5156	13.097
1/32	.0313	.7938	17/32	.5313	13.494
3/64	.0469	1.191	35/64	.5469	13.891
1/16	.0625	1.588	9/16	.5625	14.288
5/64	.0781	1.984	37/64	.5781	14.684
3/32	.0938	2.381	19/32	.5938	15.081
7/64	.1094	2.778	39/64	.6094	15.478
1/8	.125	3.175	5/8	.625	15.875
9/64	.1406	3.572	41/64	.6406	16.272
5/32	.1563	3.969	21/32	.6563	16.669
11/64	.1719	4.366	43/64	.6719	17.066
3/16	.1875	4.763	11/16	.6875	17.463
13/64	.2031	5.159	45/64	.7031	17.859
7/32	.2188	5.556	23/32	.7188	18.256
15/64	.2344	5.953	47/64	.7344	18.653
1/4	.25	6.350	3/4	.75	19.050
17/64	.2656	6.747	49/64	.7656	19.447
9/32	.2813	7.144	25/32	.7812	19.844
19/64	.2969	7.541	51/64	.7969	20.241
5/16	.3125	7.938	13/16	.8125	20.638
21/64	.3281	8.334	53/64	.8281	21.034
11/32	.3438	8.731	27/32	.8438	21.431
23/64	.3594	9.128	55/64	.8594	21.828
3/8	.375	9.525	7/8	.875	22.225
25/64	.3906	9.922	57/64	.8906	22.622
13/32	.4062	10.319	29/32	.9063	23.019
27/64	.4219	10.716	59/64	.9219	23.416
7/16	.4375	11.113	15/16	.9375	23.813
29/64	.4531	11.509	61/64	.9531	24.209
15/32	.4688	11.906	31/32	.9688	24.606
31/64	.4844	12.303	63/64	.9844	25.003
1/2	.5	12.700	1	1	25.400



CONTACT INFO

1255 South Park Dr.
Kernersville, NC 27284 USA
Tel. 336-996-7774
Fax 336-996-1812
Toll Free 800-222-6941
E-mail: info@petermeier.com
www.petermeier.com

