

# ALREX™



Patent: #10633905 , #11268312

## THE NO-PROBLEM DOOR CLOSER

Before

ALREX



- Easy to Install
- Cost Effective
- Vandal Resistant
- Sleek/Beautiful

PBB ARCHITECTURAL  
Presents...

### The Next Generation Hydraulic Door Closer



# Alrex Hinge

An "Alrex" hinge is the general name for a "full function" hydraulic closer hinge. It obtains all the features of a door closer, but without the installation, service, and aesthetic issues. It is essentially a door closer in a hinge, saving you time and money, while eliminating unsightly closers.

## Adjustability

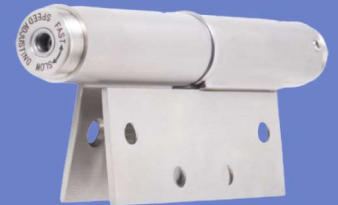
-Spring tension (closing sweep speed) can be adjusted with the included tool on the top of the hinge (Follow enclosed directions for adjustments).

-Hydraulic tension (latch strength) can be adjusted with the included tool at the bottom of the hinge (Follow enclosed directions for adjustments).



## Functionality

- Provides adjustable closing sweep & latch speed from 175 degrees.
- Hold open option provides hold open between 85 and 135 degrees with adjustable closing & latching.
- Back check available.



## Features & Benefits

### Intertek

Meets A156.17 Grade 1 requirements for Self Closing Hydraulic Hinges.

### Intertek W/N. 21710

Meets UL 10C requirements for 180 minute exposure period with hose stream in accordance with NFPA 252 and UL 10C under positive furnace pressure and CAN/ULC S104 and UL 10B under neutral furnace pressure.

### Weight Capacity Limit & Requirements

Doors under 100 lbs require a set of 2 hydraulic hinges + 1 dummy center hinge. Doors 100 lbs up to 150 lbs may require 3 hydraulic hinges. Heavier doors may require 4.

### Gauge of Material

.134" on all hinges

### Base Material

Stainless Steel Grade 304

### Templating

All hinges have ANSI template hole locations for wood and metal doors.

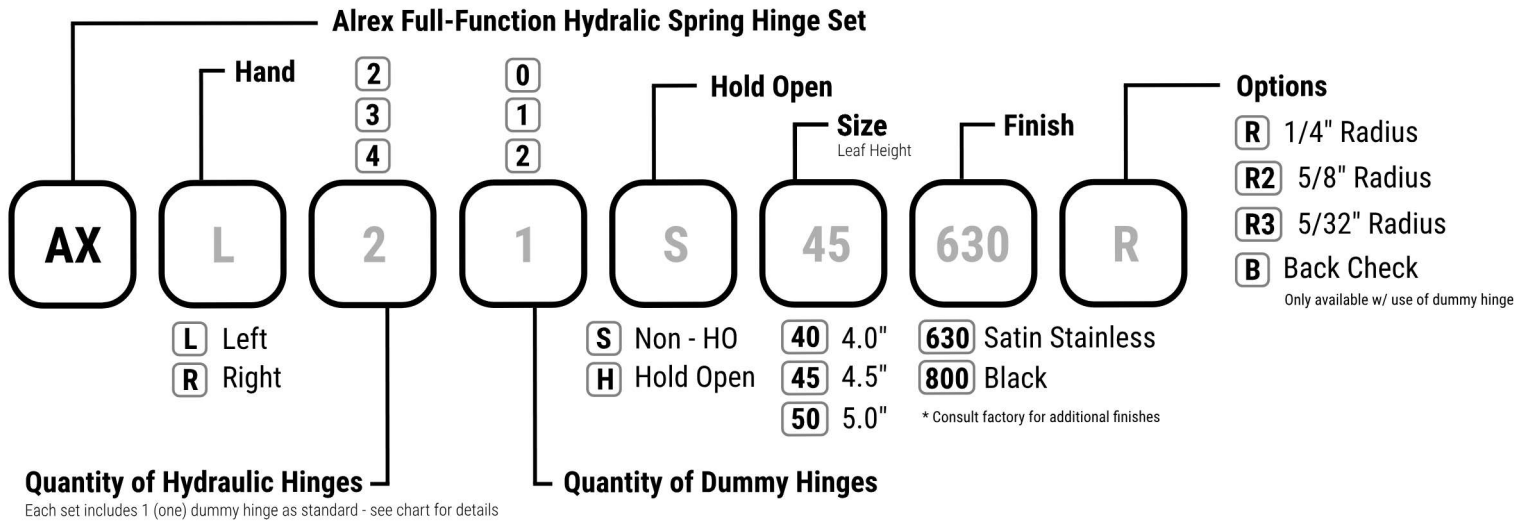
### Fasteners

Each closing system contains a full set of machine and wood screws.

### ADA

ADA listed as meeting requirements of 5 lb maximum opening force

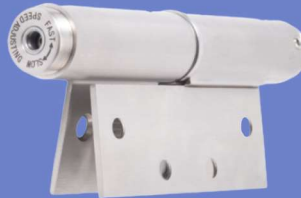
## How To Order



Traditional Door Closer



Alrex Hinge Door Closer



## Visual Comparison

## Installation Comparison

Traditional Door Closer

(Around 1 hour - Not including hinge install)



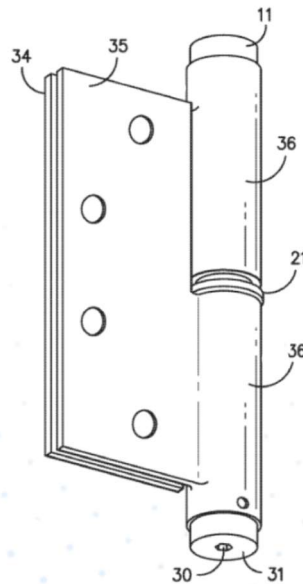
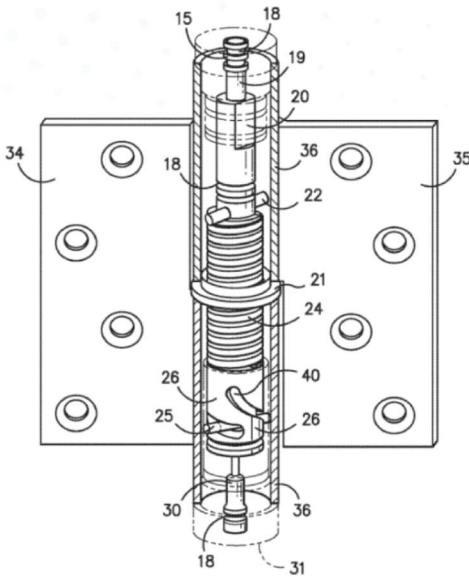
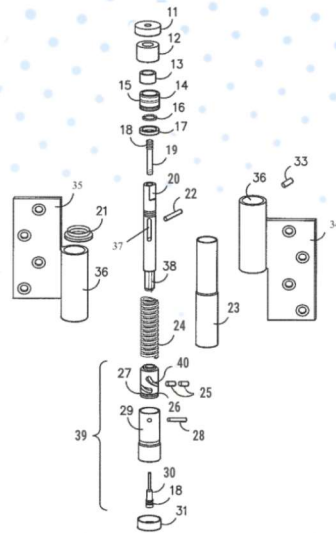
Alrex Hinge Door Closer

(Around 10 minutes)



	Traditional Door Closer	Alrex Hinge Door Closer
Door Closing and Latching Speed customization	✓	✓
Door Stop and Hold Open capabilities	✓	✓
Installation & adjustment time under 15 minutes	✗	✓
Vandal resistant	✗	✓
Swiss cheese door (abundance of screw holes)	✓	✗

# Revolutionizing The Hinge



## Applications:

- Arched Doors
- Luxury Residential
- Transom Doors
- Highly Aesthetic
- Dutch Doors
- Hospitality
- Quiet Environment
- Frameless Doors



### PBB Architectural

1311 E. Philadelphia St.  
Ontario, California 91761

Phone: (909) 923-6250  
Fax: (888) 722-8392  
Email: Sales@pbbinc.com

### Locations

Los Angeles, CA  
Brooklyn, NY  
Detroit, MI  
Kansas City, MO  
Miami, FL  
Atlanta, GA

For questions about the product, please contact your PBB sales representative or view the product details on our website.

If you are looking to purchase, please contact us or order online.

Website

