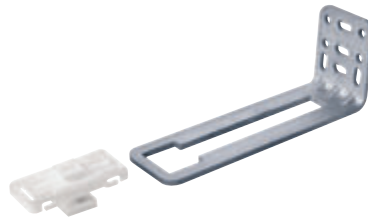


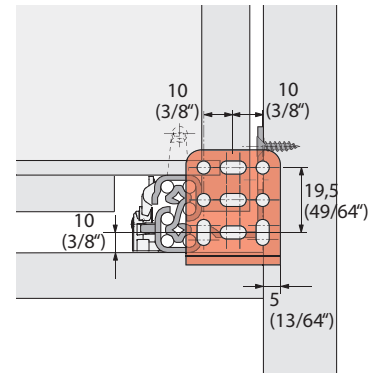
Optional Accessories

Metal rear attachment set (screw-on)

- 2 rear mount brackets, metal
- 2 sledges, plastic
 - Non-handed, two-piece design
 - For up to 50 mm (1¹⁵/₁₆") depth adjustment
 - and ± 1.5 mm (1/₁₆") side adjustment
 - Additional adjustment via oblong holes
 - Installation recommended with min. four #6 truss head screws



Location of rear bracket (Metal)



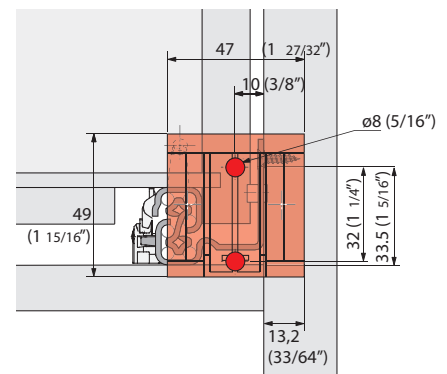
Article	Order no.	PU
Rear attachment set	9 055 093	10 sets

Rear attachment set (plug-in) for 3/8" recess rear panel thickness

- 2 rear mount brackets with dowels, plastic
- 2 sledges, plastic
 - Non-handed, two-piece design (pre-assembled)
 - For up to 27 mm (1¹/₁₆") depth adjustment and 19 mm (3/₄") side-to-side self-alignment
 - Non-detachable⁵/₆" (8 mm) dowels, 16 mm (5/₈") long



Location of rear bracket (plug-in)



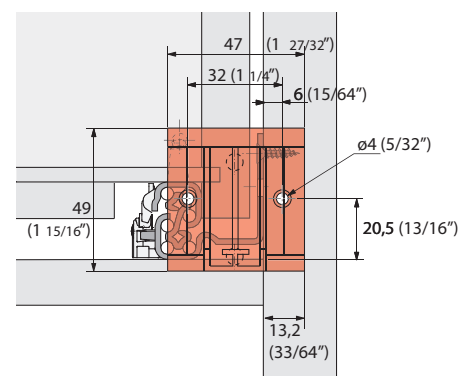
Article	Order no.	PU
Rear attachment set	9 052 226	100 sets

Rear attachment set (screw-on)

- 2 rear mount brackets, plastic
- 2 sledges, plastic
 - Non-handed, two-piece design (pre-assembled)
 - For up to 27 mm (1¹/₁₆") depth adjustment and 19 mm (3/₄") side-to-side self-alignment
 - Installation recommended with two #7 flat head screws per bracket



Location of rear bracket (screw-on)



Article	Order no.	PU
Rear attachment set	9 052 230	10 sets

Dimensions in millimeters (inch approximations as noted).
Subject to technical modification without notice.