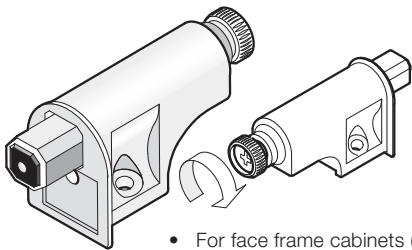


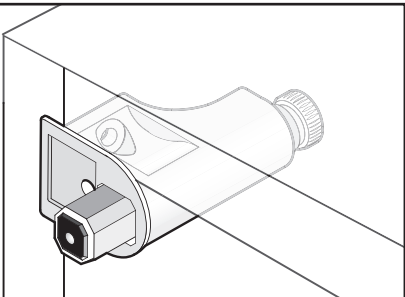
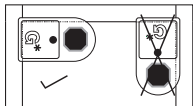
unisoft

Soft-close for doors



- For face frame cabinets (For any door overlay)
- For frameless style cabinets (Full overlay)
- Non-handed
- Sleek design

UniSoft from Grass is an independent Soft-close adapter that can be used universally in any cabinet construction.



Grass America Inc.
1202 Highway 66 South
Kernersville, NC 27284

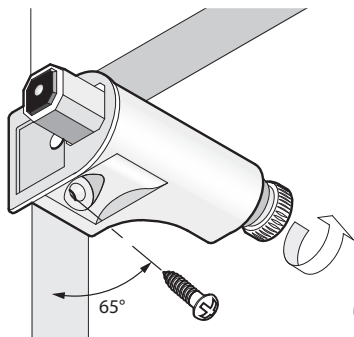
Phone 1-800-334-3512
Fax 1-800-526-8406

Patent Pending

G*GRASS®

Internet: www.grassusa.com

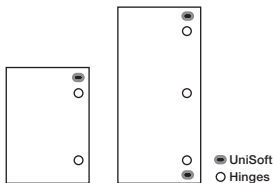
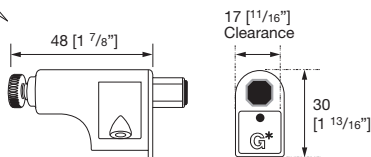
⚠ WARNING - CHOKING HAZARD - Small parts. Not a toy. Keep out of reach of children.



Use 65° angle for best mounting results.

Mounting

UniSoft mounts easily in the corner of the cabinet on the side where the hinge is located. Pilot drill 2.3mm Ø [3/32"], 1/4" deep only, for a #6 x 3/4" pan head screw.



Number per door

Use one UniSoft for most applications. For heavier doors use two or more. Trial mount recommended.

Adjustment

Turn adjustment screw to move damper in and out. Adjust in for heavier doors or out for light doors.

