



unisoft

Soft-close for doors

G*GRASS®



Grass UniSoft
Soft-close for doors



 **unisoft**



UniSoft, the latest innovation from Grass, is a Soft-close adapter for doors. The UniSoft mounts independently from the hinge in the upper corner of your cabinet and instantly allows the cabinet door to close quietly and smoothly. Its sleek brushed nickel look houses the UniSoft damper. The UniSoft can be adjusted by the turn of a

screw to the desired closing speed. UniSoft can be installed at any time during the production process, at the time of cabinet installation or after the cabinetry has been installed. For the end user, this is a perfect retrofit solution to add a Soft-close feature to their fine cabinetry.

Grass UniSoft

Soft-close for doors



Why is UniSoft the ideal universal Soft-close adapter?

- Works for face frame cabinets on all door overlays
- Works for frameless cabinets on full overlay doors
- Blends in well with hinge finish
- Is non-handed with a low profile design
- Is manually adjustable to desired closing speed
- Is easy to mount by locating in the corner
- Has scratch protector and front bumper with cushion for a quiet close

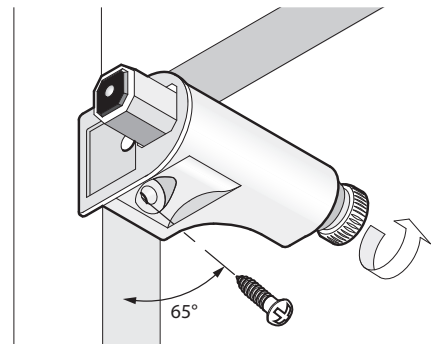
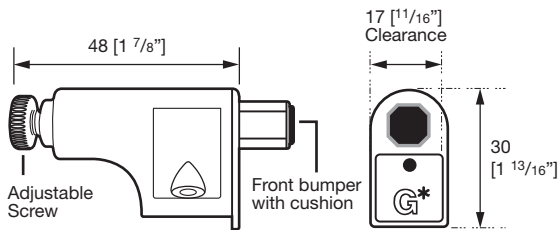


Technical:

- Attachment: Wood screw #6 x 3/4" PH

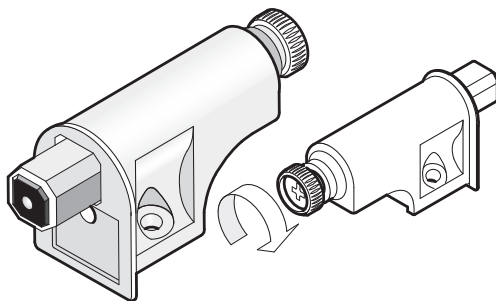
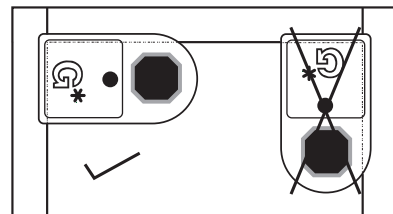
ID	Description	Item #	Packing Unit (Box quantity)
1	UniSoft	18971-37	1 Polybag (125 Polybags)
		18971-40	25/bag (125/box)
		18971-14	250 Bulk

All bags include #6 x 3/4 Pan head screw.



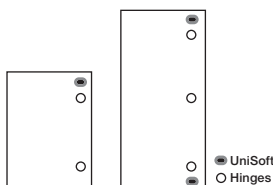
Important: Use a 65° angle for best mounting results. Pilot drill 2.3 mm [Ø3/32"] and 1/4" deep for a #6 x 3/4" Pan head screw recommended. Mount in upper corner on hinge side.

Mounting



Adjustment

Turn adjustment screw to move damper in and out. Adjust in for heavier doors or out for light doors. Use Phillips or Pozidrive screwdriver or adjust manually.



Number per door

Use one UniSoft for most applications. For heavier doors use two or more. Trial mount recommended.



Grass America Inc.
1202 Highway 66 South
Kernersville, NC 27284

Phone 1-800-334-3512
Fax 1-800-526-8406

Internet: www.grassusa.com
E-Mail: info@grassusa.com

Grass Canada Inc.
475 Finchdene Square, Unit 9
Toronto, ON M1X 1B7

Phone 1-800-461-4975
Fax 1-416-335-5907

Internet: www.grassusa.com
E-Mail: info@grassusa.com