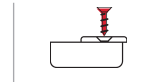


Tiomos Flap Hinge

90° hinge for flap door



- Sleek modern design
- 90° opening angle
- For flap thicknesses of up to 30mm (1 3/16")
- Narrow joint
- Large overlay of up to 19mm (3/4")
- 3-dimensional adjustment
- Compatible with Tipmatic pin system
- Compatible with Kinvaro D-M/D-S flap system



Tiomos Flap Hinge Opening Angle 90°

Screw-On

Overlay	For Flap Thickness 14-21mm	Color	Cup Depth	Item No.	PU
	Hinge: zinc die-cast, nickel-plated	Nickel	12mm	F053139671223	100
	Hinge: zinc die-cast, night	Night	12mm	F053139677223	100

Overlay	For Flap Thickness 22-28mm	Color	Cup Depth	Item No.	PU
	Hinge: zinc die-cast, nickel-plated	Nickel	17mm	F053139672223	100
	Hinge: zinc die-cast, night	Night	17mm	F053139678223	100

Cover Cap for Flap Hinge

Item No.

PU

1.5mm Spacer for Tiomos Flap Hinge

Item No.

PU



Steel, nickel plated

F053139675223

100

Steel, night

F053139683223

100



Steel, nickel plated

F053139676223

100

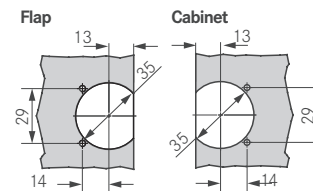
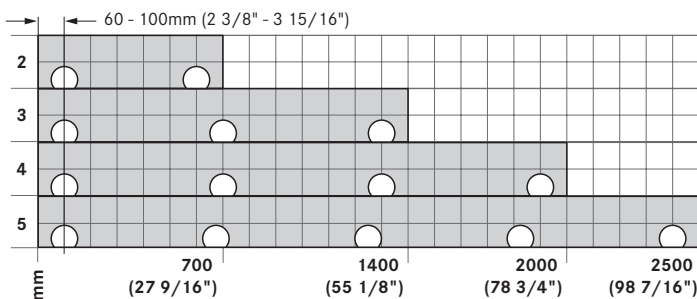
Steel, night

F053139684223

100

Number of Hinges per Door

Drilling Pattern



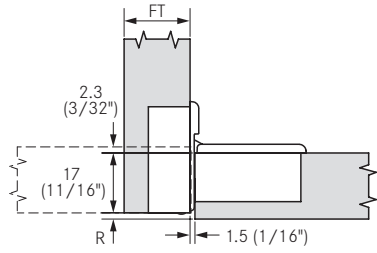
PU - Packaging unit

Tiomos Flap Hinge



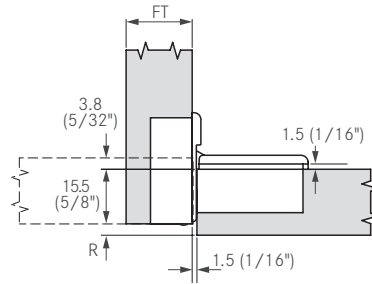
90° hinge for flap door

Overlay, Without Spacer, 12mm Cup Depth



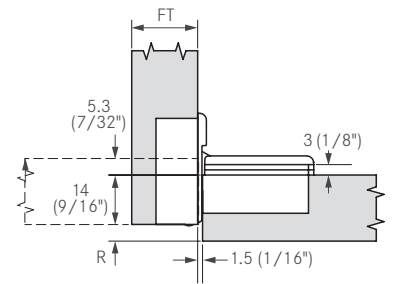
Min Reveal (R)	Flap Thickness (FT)							
	21	20	19	18	17	16	15	14
	2.5	1.5	1	1	1	1	1	1

Overlay, with 1 Spacer, 12mm Cup Depth



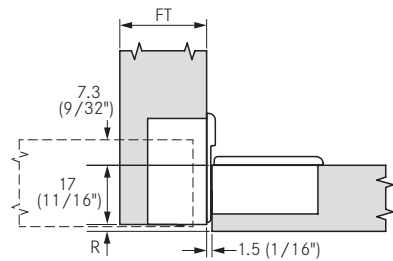
Min Reveal (R)	Flap Thickness (FT)							
	21	20	19	18	17	16	15	14
	2.5	1.5	1	1	1	1	1	1

Overlay, with 2 Spacers, 12mm Cup Depth



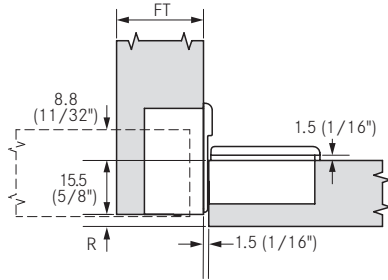
Min Reveal (R)	Flap Thickness (FT)							
	21	20	19	18	17	16	15	14
	2.5	1.5	1	1	1	1	1	1

Overlay, Without Spacer, 17mm Cup Depth



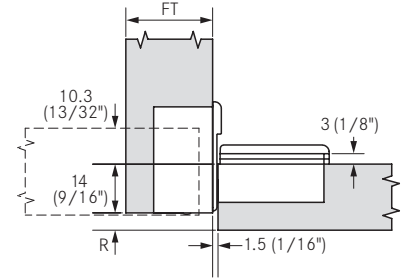
Min Reveal (R)	Flap Thickness (FT)								
	30	29	28	27	26	25	24	23	22
	6.5	5.5	4.5	3.5	2.5	1.5	1	1	1

Overlay, with 1 Spacer, 17mm Cup Depth



Min Reveal (R)	Flap Thickness (FT)								
	30	29	28	27	26	25	24	23	22
	6.5	5.5	4.5	3.5	2.5	1.5	1	1	1

Overlay, with 2 Spacers, 17mm Cup Depth

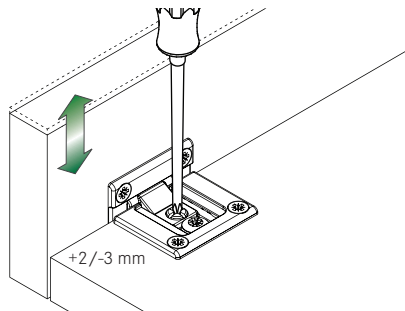


Min Reveal (R)	Flap Thickness (FT)								
	30	29	28	27	26	25	24	23	22
	6.5	5.5	4.5	3.5	2.5	1.5	1	1	1

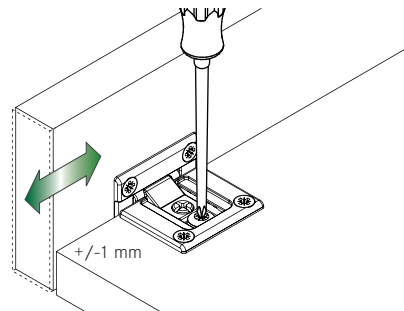
Note: Hinge dimensions and reveal calculation based on factory setting.

IMPORTANT
To determine the correct application Grass strongly recommends a trial mounting for all hinges and base plates.

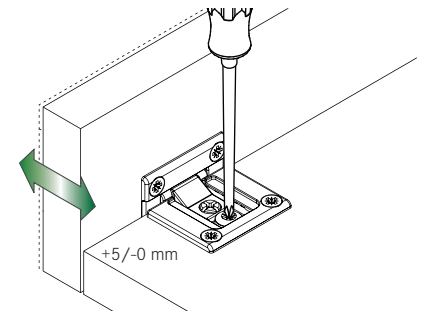
Overlay Adjustment



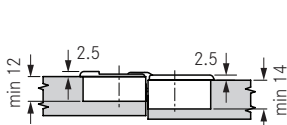
Side Adjustment



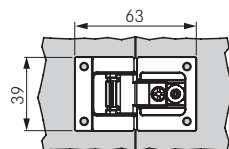
Depth Adjustment



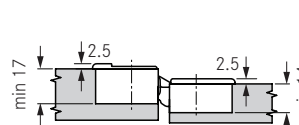
Cup Dimensions, 12mm cup depth



Hinge Dimension, 12mm cup depth



Cup Dimensions, 17mm cup depth



Hinge Dimensions, 17mm cup depth

