

# Part Numbers for Stainless Steel Docking Drawer Canisters

Download Tear Sheets to share project details with your team



**BEST SELLER**



**3" Canister**  
0024-00503

Canister Width **3"** (76mm)

---

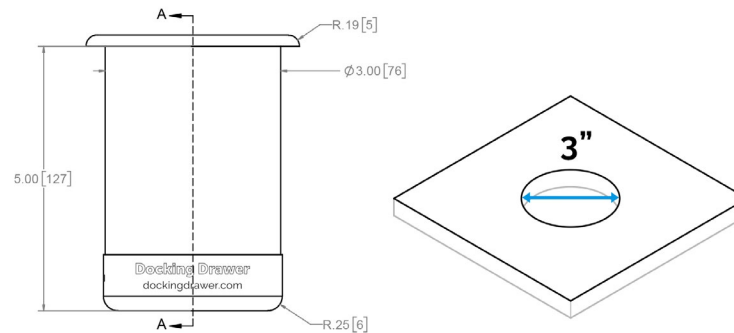
Cut Out Size **3"** (76mm)

---

Canister Height (to bottom of lip) **5"** (127mm)

---

Open or Closed bottom? Capped bottom



\*Note: Capped bottom is wider than 3" (3.056")

## Pro Tip

Download DXF, STEP and Solidworks files to import into your project planning software at [dockingdrawer.com/downloads](http://dockingdrawer.com/downloads).

**BEST SELLER**



**2" Canister**  
0024-00502

Canister Width **2"** (51mm)

---

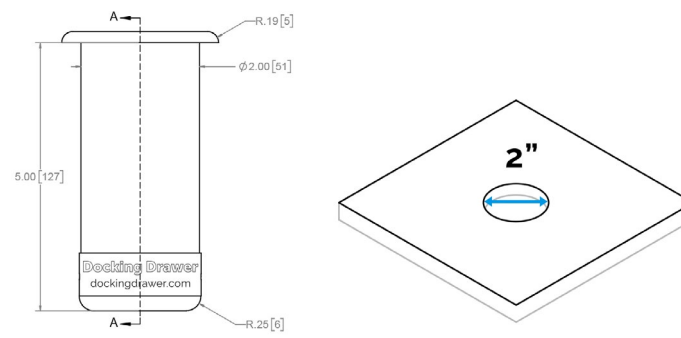
Cut Out Size **2"** (51mm)

---

Canister Height (to bottom of lip) **5"** (127mm)

---

Open or Closed bottom? Capped bottom



\*Note: Capped bottom is wider than 2" (2.054")

## Pro Tip

Download DXF, STEP and Solidworks files to import into your project planning software at [dockingdrawer.com/downloads](http://dockingdrawer.com/downloads).

**Coming Soon**

**5" Canister**  
0024-00505

Canister Width **5"** (127mm)

---

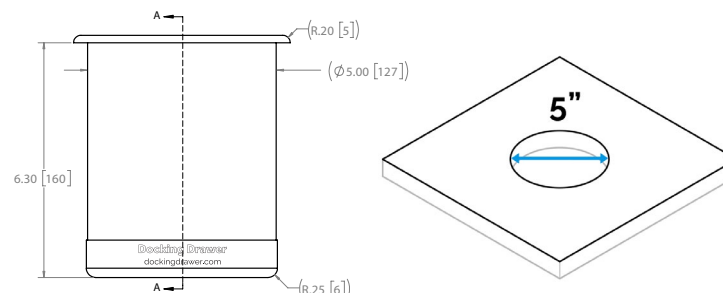
Cut Out Size **5"** (127mm)

---

Canister Height (to bottom of lip) **6.5"** (156.5mm)

---

Open or Closed bottom? Capped bottom



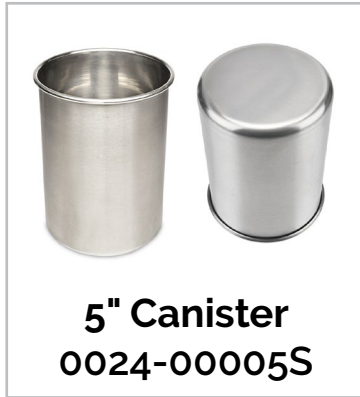
\*Note: Capped bottom is wider than 5" (5.069")

## Pro Tip

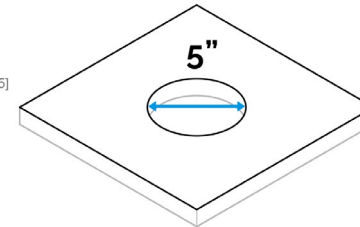
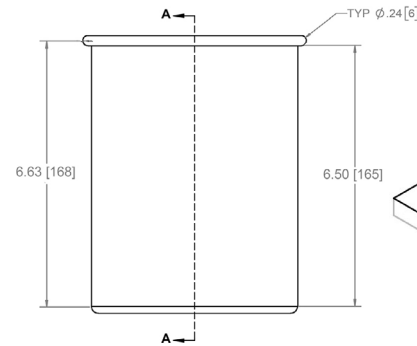
Download DXF, STEP and Solidworks files to import into your project planning software at [dockingdrawer.com/downloads](http://dockingdrawer.com/downloads).

# Part Numbers for Stainless Steel Docking Drawer Canisters

[Download Tear Sheets to share project details with your team](#)




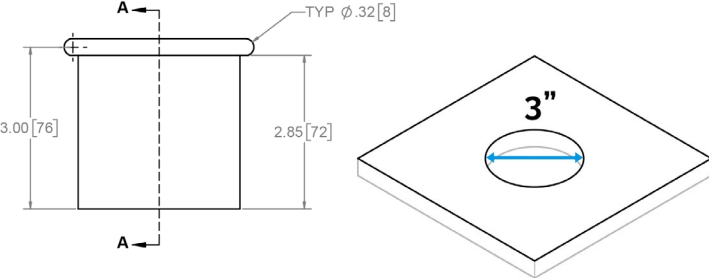

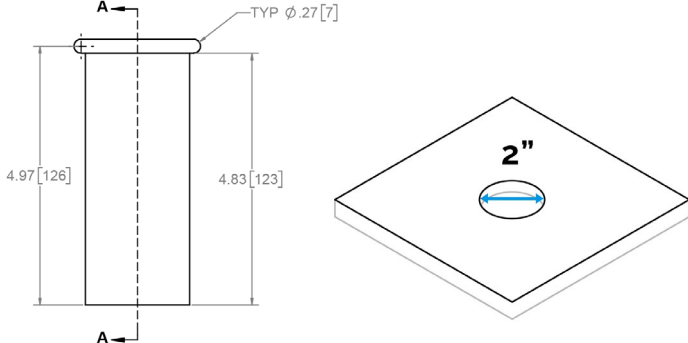

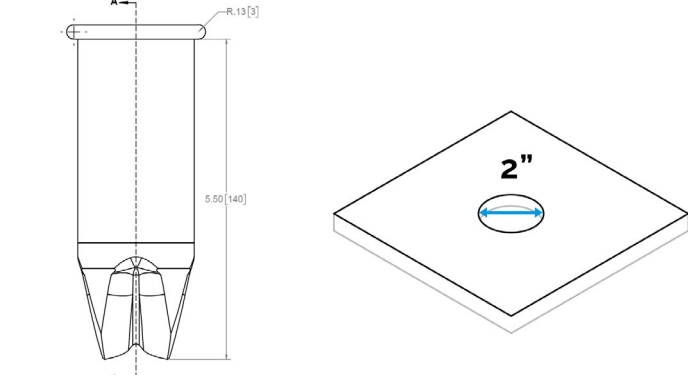
Canister Width	<b>5"</b> (127mm)
Cut Out Size	<b>5"</b> (127mm)
Canister Height (to bottom of lip)	<b>6.5"</b> (165mm)
Open or Closed bottom?	Closed bottom



## Pro Tip

Download DXF, STEP and Solidworks files to import into your project planning software at [dockingdrawer.com/downloads](http://dockingdrawer.com/downloads).

# Part Numbers for Chrome Docking Drawer Canisters

 <p><b>3" Canister</b> 0024-00010S</p>	<p>Canister Width <b>3"</b> (76mm)</p> <hr/> <p>Cut Out Size <b>3"</b> (76mm)</p> <hr/> <p>Canister Height (to bottom of lip) <b>2.85"</b> (72mm)</p> <hr/> <p>Open or Closed bottom? Open bottom</p>		<p><b>Pro Tip</b></p> <p>Download DXF, STEP and Solidworks files to import into your project planning software at <a href="http://dockingdrawer.com/downloads">dockingdrawer.com/downloads</a>.</p>
 <p><b>2" Canister</b> 0024-00020S</p>	<p>Canister Width <b>2"</b> (51mm)</p> <hr/> <p>Cut Out Size <b>2"</b> (51mm)</p> <hr/> <p>Canister Height (to bottom of lip) <b>4.83"</b> (123mm)</p> <hr/> <p>Open or Closed bottom? Open bottom</p>		<p><b>Pro Tip</b></p> <p>Download DXF, STEP and Solidworks files to import into your project planning software at <a href="http://dockingdrawer.com/downloads">dockingdrawer.com/downloads</a>.</p>
 <p><b>2" Canister</b> 0024-00020CR</p>	<p>Canister Width <b>2"</b> (51mm)</p> <hr/> <p>Cut Out Size <b>2"</b> (51mm)</p> <hr/> <p>Canister Height (to bottom of lip) <b>5.5"</b> (140mm)</p> <hr/> <p>Open or Closed bottom? Crimped bottom</p>		<p><b>Pro Tip</b></p> <p>Download DXF, STEP and Solidworks files to import into your project planning software at <a href="http://dockingdrawer.com/downloads">dockingdrawer.com/downloads</a>.</p>