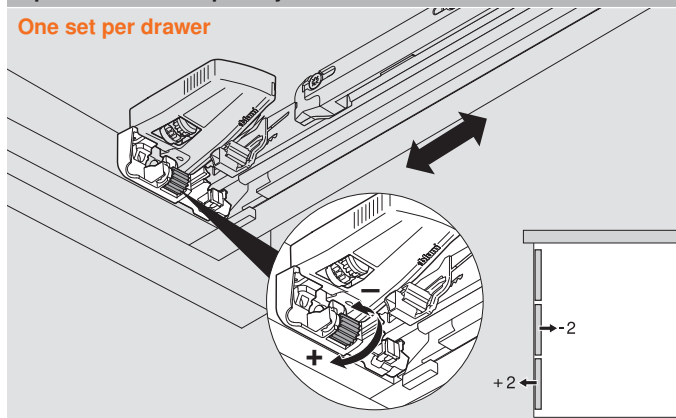


**Description**

- Uses the same 763 or 769 series runner
- Requires increased setback of the runner
- 763H/. and 769. frame applications require blocking-out behind the face frame

**Optional add-on depth adjustment without TIP-ON BLUMOTION**

One set per drawer



- Depth adjustment  $\pm 2$  (3/32"), preset at 0
- Integrated 3 (1/8") distance bumper for inset or overlay SERVO-DRIVE applications
- Not for use with TIP-ON BLUMOTION

**Set includes:**

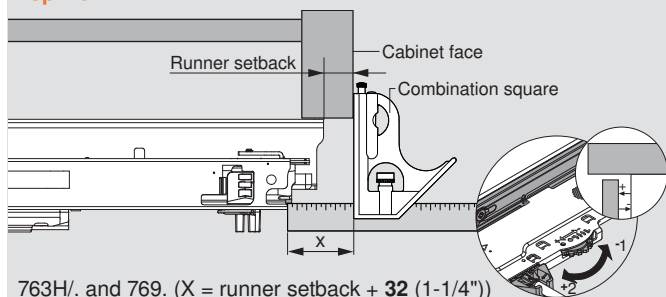
- Right and left add-on depth adjustment
- Installation Instructions

Part no.

Add-on depth adjustment	298.7600
Installation screw	606N or 606P

**TIP-ON BLUMOTION depth adjustment**

Top view

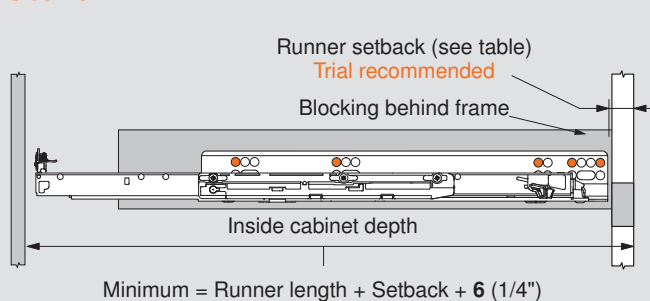


763H/. and 769. ( $X = \text{runner setback} + 32$  (1-1/4"))  
 769R ( $X = \text{runner setback} + 17.5$  (11/16"))

**NOTE:** See runner setback information on next page

**Inside cabinet depth**

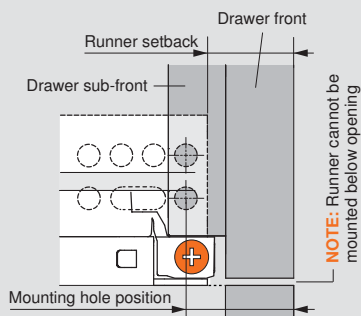
Side view



**NOTE:** See runner setback information on next page

**763H/. and 769. setback information**

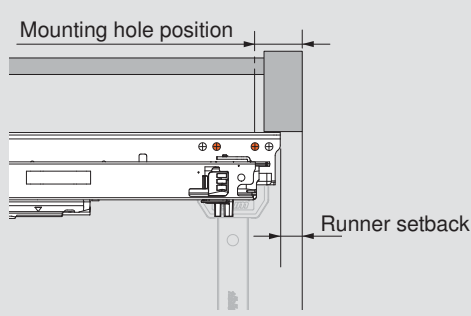
Side view



**NOTE:** For mounting hole position add 7 (9/32") to runner setback

**769R setback information**

Top view



**NOTE:** For mounting hole position add 22 (7/8") to runner setback

## Runner Setback Specifications

MOVENTO

**blum**

### Runner setback with all locking devices

		763H/. and 769.	Runner setback			769R	Runner setback			
	Sub-front thickness	13 (1/2")	16 (5/8")	19 (3/4")	22 (7/8")	Sub-front thickness	13 (1/2")	30.5 (1-3/16")	33.5 (1-5/16")	36.5 (1-7/16")
		16 (5/8")	19 (3/4")	22 (7/8")	25 (31/32")		16 (5/8")	33.5 (1-5/16")	36.5 (1-7/16")	39.5 (1-9/16")
		19 (3/4")	22 (7/8")	25 (31/32")	28 (1-3/32")		19 (3/4")	36.5 (1-7/16")	39.5 (1-9/16")	42.5 (1-11/16")
		Drawer front thickness					Drawer front thickness			
		16 (5/8")	19 (3/4")	22 (7/8")			16 (5/8")	19 (3/4")	22 (7/8")	

- Setbacks in this table set the face of the drawer front flush with the face of the cabinet
- If depth adjustment is needed, please see the add-on depth adjustment table below

#### Calculating runner setback

763H/. and 769. (sub-front thickness + drawer front thickness minus 13 (1/2") = runner setback)

769R (sub-front thickness + drawer front thickness + 1.5 (1/16") = runner setback)

### Runner setback when using add-on depth adjustment

		763H/. and 769.	Runner setback			769R	Runner setback			
	Sub-front thickness	13 (1/2")	19.5 (25/32")	22.5 (7/8")	25.5 (1")	Sub-front thickness	13 (1/2")	34 (1-11/32")	37 (1-15/32")	40 (1-9/16")
		16 (5/8")	22.5 (7/8")	25.5 (1")	28.5 (1-1/8")		16 (5/8")	37 (1-15/32")	40 (1-9/16")	43 (1-11/16")
		19 (3/4")	25.5 (1")	28.5 (1-1/8")	31.5 (1-1/4")		19 (3/4")	40 (1-9/16")	43 (1-11/16")	46 (1-13/16")
		Drawer front thickness					Drawer front thickness			
		16 (5/8")	19 (3/4")	22 (7/8")			16 (5/8")	19 (3/4")	22 (7/8")	

- Setbacks in this table recess the face of the drawer front inside of the cabinet 0.5 (1/32")
- The depth adjustment can then be used to move the drawer front in or out to its desired position ±2 (3/32")

#### Calculating runner setback

763H/. and 769. (sub-front thickness + drawer front thickness minus 9.5 (3/8") = runner setback)

769R (sub-front thickness + drawer front thickness + 5 (3/16") = runner setback)

### Runner setback with all locking devices and TIP-ON BLUMOTION (no add-on depth adjustment)

		763H/. and 769.	Runner setback			769R	Runner setback			
	Sub-front thickness	13 (1/2")	19.5 (25/32")	22.5 (7/8")	25.5 (1")	Sub-front thickness	13 (1/2")	34 (1-11/32")	37 (1-15/32")	40 (1-9/16")
		16 (5/8")	22.5 (7/8")	25.5 (1")	28.5 (1-1/8")		16 (5/8")	37 (1-15/32")	40 (1-9/16")	43 (1-11/16")
		19 (3/4")	25.5 (1")	28.5 (1-1/8")	31.5 (1-1/4")		19 (3/4")	40 (1-9/16")	43 (1-11/16")	46 (1-13/16")
		Drawer front thickness					Drawer front thickness			
		16 (5/8")	19 (3/4")	22 (7/8")			16 (5/8")	19 (3/4")	22 (7/8")	

- Setbacks in this table set the face of the drawer front flush with the face of the cabinet
- The depth adjustment is used to set the drawer front in the optimal location for TIP-ON function while keeping it flush with the face of the cabinet. See previous page for depth adjustment information.

#### Calculating runner setback

763H/. and 769. (sub-front thickness + drawer front thickness minus 9.5 (3/8") = runner setback)

769R (sub-front thickness + drawer front thickness + 5 (3/16") = runner setback)