

MOVENTO



Waste/Recycle Drawer with Motion Technologies

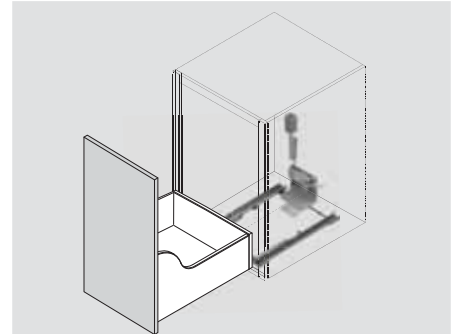
Application



Description

- Pre-assembled bottom mount set
- MOVENTO heavy duty full extension concealed runners with BLUMOTION
- For 12", 15" and 18" minimum opening widths
- **13 (1/2") to 16 (5/8")** drawer thickness
- **19 (3/4")** over extension
- For face frame and frameless applications
- Tool-free side-to-side, height and tilt adjustment
- Maximum **6 (1/4")** cabinet bottom recess
- **135 lb static load capacity**
- Compatible with TIP-ON BLUMOTION and SERVO-DRIVE

Basic Components



NOTE: Drawer and bins not included

Components

MOVENTO waste/recycle set

One set required per drawer



Set includes:

- 1 MOVENTO heavy duty runner set with pre-mounted #6 x 1" wood screws for installation (qty 8)
 - 2 Standard locking device (qty 2) with #6 x 5/8" wood screws for installation (qty 4)
- Installation template and instructions

MOVENTO waste/recycle set	Drawer length	Part no.
For 12" minimum opening width	533 (21")	769R5337SB
For 15" minimum opening width	533 (21")	769R5337SD
For 18" minimum opening width	533 (21")	769R5337SF

NOTE: Lateral stabilizer cannot be used with 769R series runners.

Optional SERVO-DRIVE waste/recycle set

SERVO-DRIVE is a low-voltage electric touch-to-open and open assist solution.

Set includes:

- Drive unit (pre-attached)
- Double bottom bracket with #6 x 1" wood screws (qty 2)
- Adapter plate
- 110 volt plug-in power supply with six feet of universal cable
- Screw-on distance bumpers (qty 4) with #6 x 5/8" wood screws for installation (qty 8)
- INSERTA cable connector
- Cable end protectors (qty 2)
- Cable clips (qty 4)
- Installation template, instructions and user manual

Part no.

SERVO-DRIVE waste/recycle set **Z10NA30UGUS**

NOTE: Power supply will operate up to two drive units in a double bottom bracket application (second drive unit sold separately)

Optional TIP-ON BLUMOTION for MOVENTO waste/recycle set

TIP-ON BLUMOTION is a fully mechanical touch-to-open solution for waste/recycle sets.

Set includes:

- Heavy duty L5 TIP-ON BLUMOTION units and triggers
- TIP-ON BLUMOTION synchronization rod, pre-cut per width
- TIP-ON BLUMOTION synchronization adapters*
- Instruction sheet

Part no.

For 769R5337SB set*	T60L7570.B
For 769R5337SD set	T60L7570.D
For 769R5337SF set	T60L7570.F

NOTE*: T60L7570.B does not use TIP-ON BLUMOTION synchronization adapters

Drawer and Cabinet Specifications

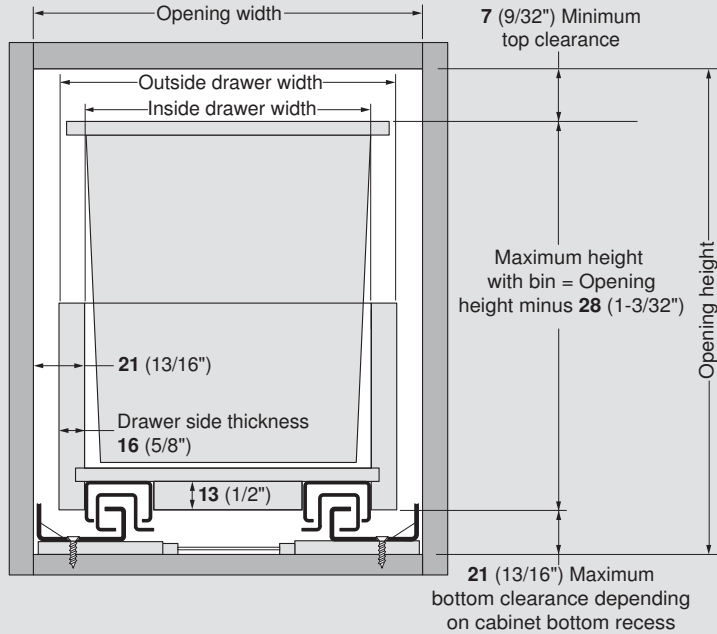
Maximum drawer thickness	16 (5/8")
Lengths available	21"
Static load capacity	135 lb

MOVENTO

blum

Drawer box specifications

Front view



NOTE: Drawer side material thickness may vary. Precise measurement of drawer side material thickness should be used when calculating outside drawer width using the table below. Inside drawer width **must** equal opening width minus **42 (1-21/32")** for MOVENTO runners to align and function optimally.

i Important

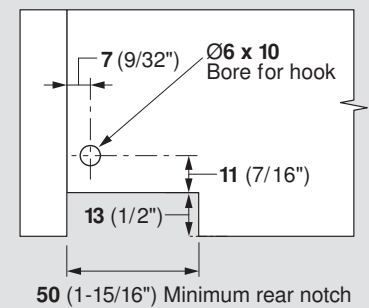
Bin width and height must be considered when designing your cabinet (see the diagram on the left).

Minimum inside cabinet depth

With SERVO-DRIVE	577 (22-23/32")
Without SERVO-DRIVE	564 (22-7/32")

Drawer back preparation

Rear view



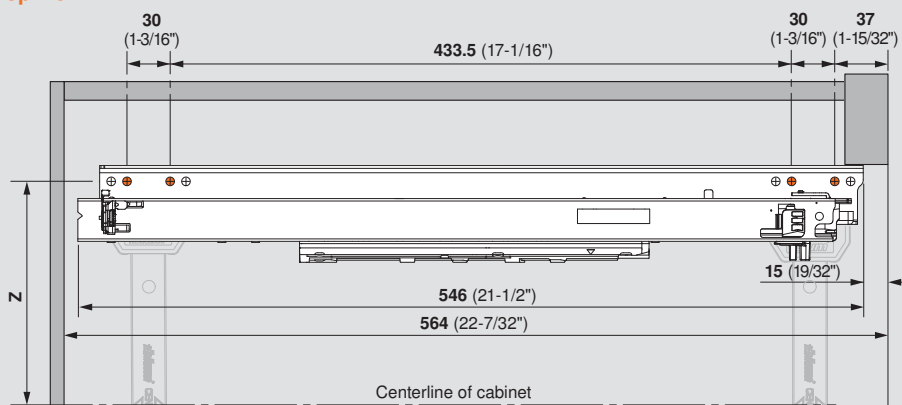
Waste/recycle set	Minimum opening width	Inside drawer width	For drawer side thickness			
			16 (5/8")	15 (19/32")	13 (1/2")	12 (15/32")
769R5337SB	305 (12")	263 (10-11/32")	295 (11-5/8")	293 (11-17/32")	289 (11-3/8")	287 (11-5/16")
769R5337SD	381 (15")	339 (13-11/32")	371 (14-19/32")	369 (14-17/32")	365 (14-3/8")	363 (14-9/32")
769R5337SF	457 (18")	415 (16-11/32")	447 (17-19/32")	445 (17-17/32")	441 (17-3/8")	439 (17-9/32")

NOTE: Drawer length is **533 (21")** for all sets

NOTE: T59.K010M spacers, available separately, required for 15/32" and 1/2" thick sub-fronts only.

Set mounting specifications

Top view



Waste/recycle set	Z
769R5337SB	141.5 (5-9/16")
769R5337SD	179.5 (7-1/16")
769R5337SF	217.5 (8-9/16")

NOTE: Orange dots indicate pre-mounted screw locations. All four are required to meet specified load capacities.

MOVENTO



Bottom Mount Drawer – Heavy Duty

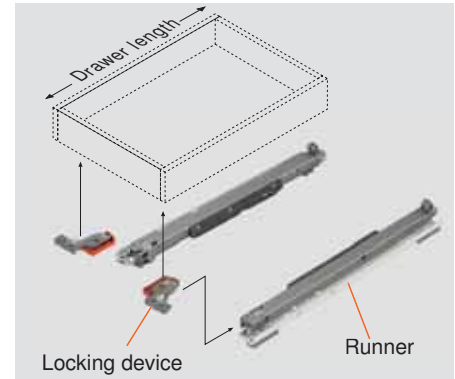
Application



Description

- MOVENTO heavy duty full extension concealed runners with BLUMOTION
- 13 (1/2") to 16 (5/8") drawer thickness
- 19 (3/4") over extension
- For face frame and frameless applications
- Tool-free side-to-side, height and tilt adjustment
- Maximum 6 (1/4") cabinet bottom recess
- **135 lb static load capacity**
- Designed to be used with SERVO-DRIVE or TIP-ON BLUMOTION

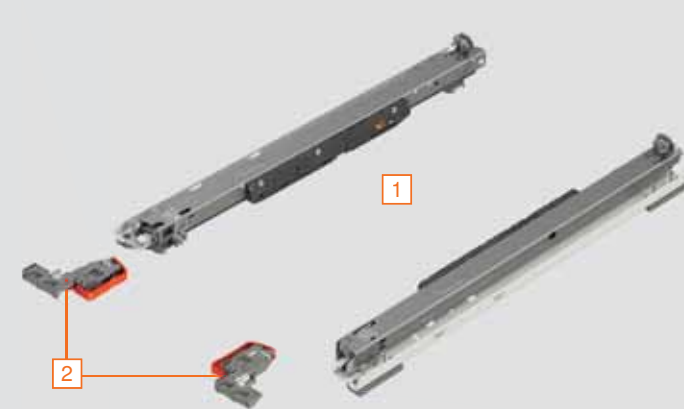
Basic Components



Components

MOVENTO bottom mount runner set

One set required per drawer



Set includes:

- 1 MOVENTO heavy duty runner set with pre-mounted #6 x 1" wood screws for installation (qty 8)
- 2 Standard locking device (qty 2) with #6 x 5/8" wood screws for installation (qty 4)

- Installation instructions

Interior roll-outs and roll-out shelf applications must be mounted to the bottom of the cabinet or to a fixed shelf/panel

Overall cabinet depth	Drawer length	MOVENTO set
610 (24")	533 (21")	769R5330S

NOTE: These runners are for 16 (5/8") drawer side thickness

NOTE: Pre-attached 1/4" spacers should not be removed. Cabinet bottom recess must be 6 (1/4") or less.

NOTE: Lateral stabilizer cannot be used with 769R series runners.

Optional SERVO-DRIVE waste/recycle set

SERVO-DRIVE is a low-voltage electric touch-to-open and open assist solution.

Set includes:

- Drive unit (pre-attached)
- Double bottom bracket with #6 x 1" wood screws (qty 2)
- Adapter plate
- 110 volt plug-in power supply with six feet of universal cable
- Screw-on distance bumpers (qty 4) with #6 x 5/8" wood screws for installation (qty 8)
- INSERTA cable connector
- Cable end protectors (qty 2)
- Cable clips (qty 4)
- Installation template, instructions and user manual

Part no.

SERVO-DRIVE waste/recycle set

Z10NA30UGUS

NOTE: Power supply will operate up to two drive units in a double bottom bracket application (second drive unit sold separately)

Optional TIP-ON BLUMOTION

- Enables MOVENTO drawers to be opened with just a light touch of the drawer front and retain BLUMOTION soft closing action
- Fully mechanical motion
- Can be used with or without pulls
- Minimum opening width **281** (11-1/16")