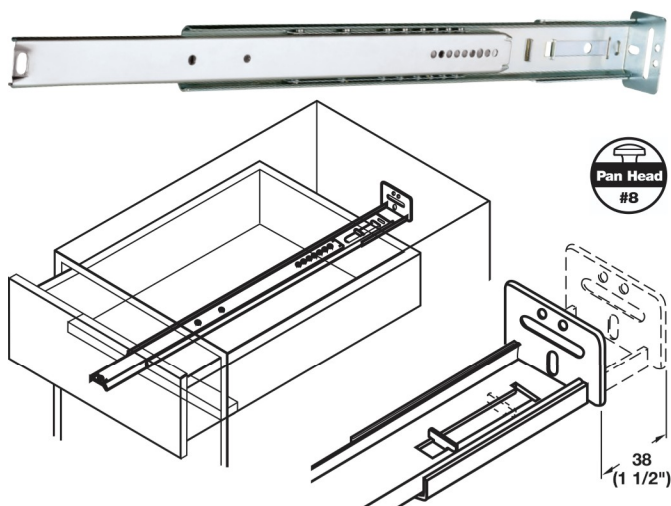
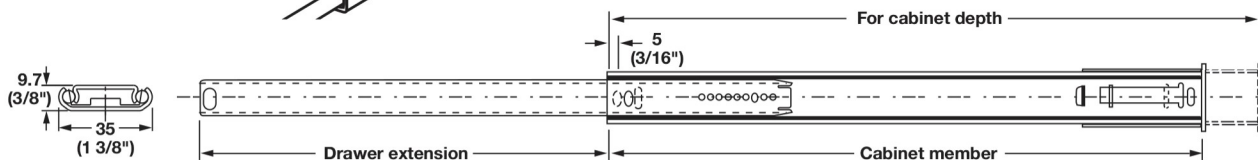


Accuride 3/4 Extension

→ 1029 Center Mounted



- > Weight capacity/pc.: 16 kg (35 lbs.)
- > Drawer width: max. 406 mm (16")
- > Friction disconnect
- > Features concealed center bottom mount, side clearance is not required
- > Adjustable rear mounting bracket available, order separately below
- > A concealed undermount slide for small shallow drawers in light duty applications
- > Material: Steel, electroplated; Finish: zinc



Drawer depth	Cabinet depth	Cabinet member	Drawer extension	Item No.
270-318 (10 5/8-12 1/2")	330-368 (13-14 1/2")	327 (12 7/8")	216 (8 1/2")	422.00.304
321-368 (12 5/8-14 1/2")	381-419 (15-16 1/2")	378 (14 7/8")	267 (10 1/2")	422.00.359
371-419 (14 5/8-16 1/2")	432-470 (17-18 1/2")	429 (16 7/8")	305 (12")	422.00.402
422-470 (16 5/8-18 1/2")	482-521 (19-20 1/2")	479 (18 7/8")	318 (12 1/2")	422.00.457
473-521 (18 5/8-20 1/2")	533-572 (21-22 1/2")	530 (20 7/8")	381 (15")	422.00.500
524-572 (20 5/8-22 1/2")	584-622 (23-24 1/2")	581 (22 7/8")	419 (16 1/2")	422.00.555

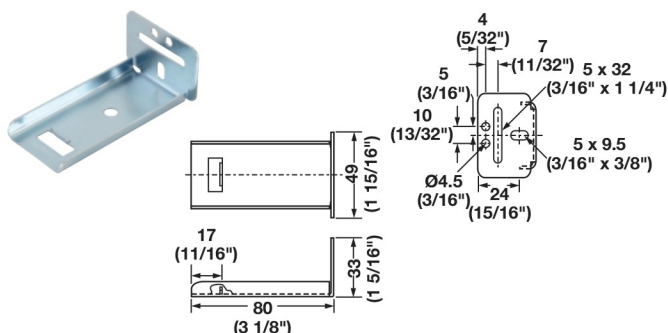
Supplied With

- Rear adjustable bracket
- 2 Tacks
- 5 Screws

8

Drawer Slides

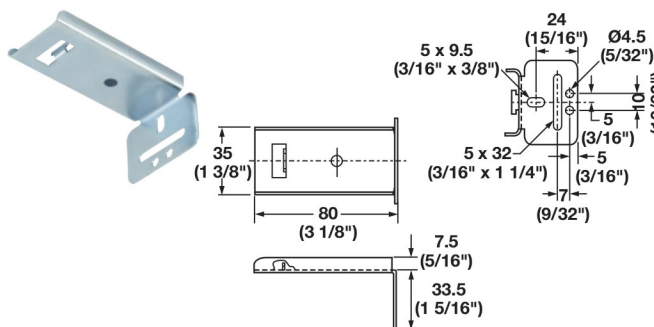
→ Adjustable Rear Mounting Bracket



- > Top of slide mounting
- > Material: Steel

Finish	Model No.	Item No.
zinc-plated	4010-0157-CE	422.03.001

→ Reverse Rear Mounting Bracket



- > Bottom of slide mounting
- > Material: Steel

Finish	Model No.	Item No.
zinc-plated	4010-0353-CE	422.03.002

Pan head screws

pages 13.9-13.10

Dimensional data not binding. Dimensions in mm, inches are approximate. We reserve the right to alter specifications without notice.